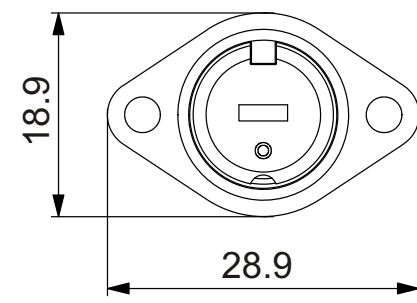
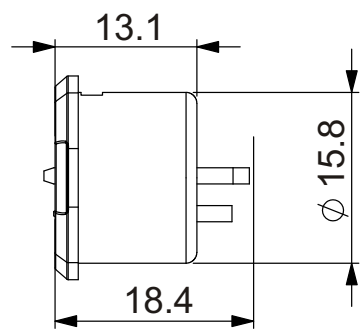
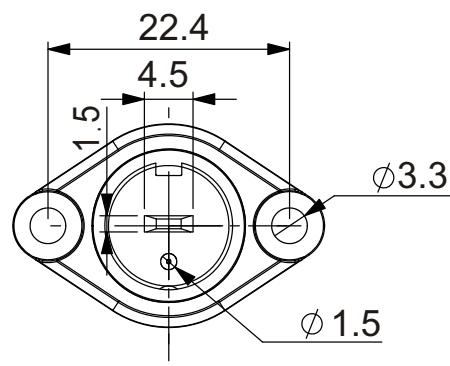


THROUGH HOLE DIMENTIONS



4	ROUND PIN	BRASS	NICKEL PTD.	1
3	FLAT PIN	BRASS	NICKEL PTD.	1
2	HOUSING	ABS		1
1	SHIELD COVER	ZN ALLOY	NICKEL PTD.	1
NO.	Description	Material	Treat	Q'ty

RoHS Compliant

TOLERANCES ARE



DRAWING BY CY

CHECKED BY GENIUS

UNIT / mm SCALE 1 : 1

DATE

SIZE A4

X. ±  
.X ±  
.XX ±  
.XXX ±  
ANG ±

PJECTION



ORDER INFORMATION

SPK-PSPE-02-LF  
SERIES | LEADFREE  
02 WAY  
EAR  
PANEL  
SOLDER  
MALE

DESCRIPTION:

煜倫股份有限公司

www.morethanall.com