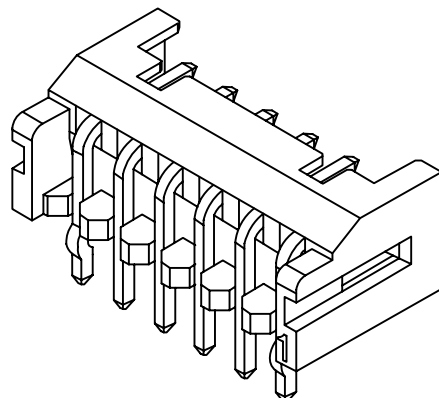
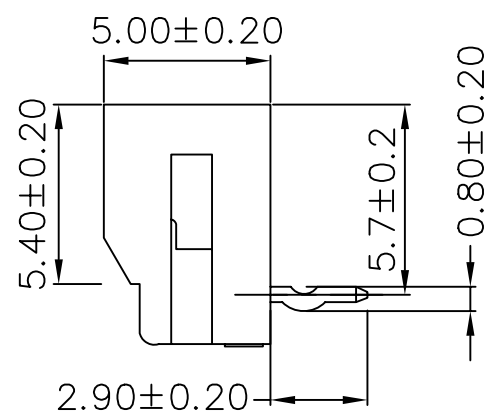
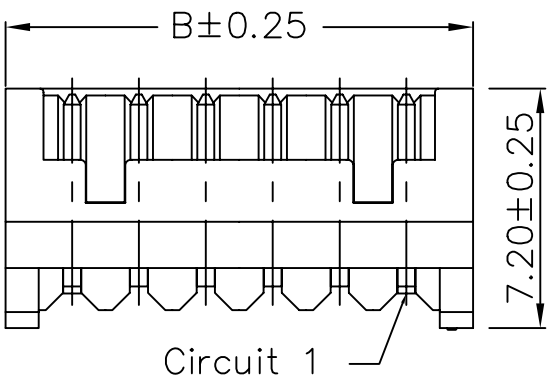
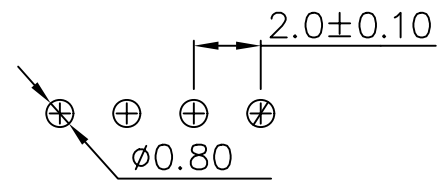
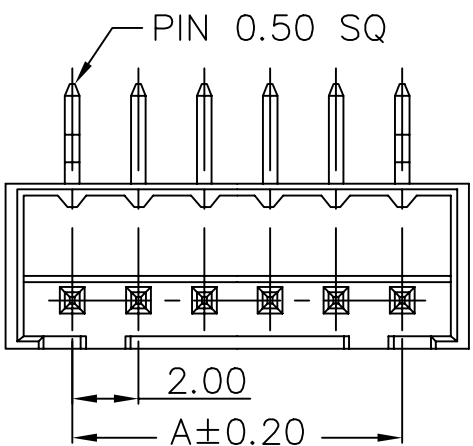


SPECIFICATIONS

Current Rating: 3A AC,DC
 Voltage Rating: 250V AC,DC
 Temperature Range: -25°C ~ +85°C
 Contact Resistance: 30m ohm Min.
 Insulation Resistance: 1000 M OHM Min.
 Withstanding Voltage: 650V AC/minute
 Material: Nylon 66,UL94V-0
 Color: Black



DF3-R-xx-LF
 LEADFREE



Ordering Information & Dimensions

PART NO.	Dimensions	
	A	B
DF3-R-02	2.00	6.00
DF3-R-03	4.00	8.00
DF3-R-04	6.00	10.00
DF3-R-05	8.00	12.00
DF3-R-06	10.00	14.00
DF3-R-07	12.00	16.00
DF3-R-08	14.00	18.00
DF3-R-09	16.00	20.00
DF3-R-10	18.00	22.00
DF3-R-11	20.00	24.00
DF3-R-12	22.00	26.00
DF3-R-13	24.00	28.00
DF3-R-14	26.00	30.00
DF3-R-15	28.00	32.00

RoHS Compliant



PART NO. DF3-R-xx

DWG NO. DF3-R-xx

CHECKED BY CY

TOLERANCES ARE

DESCRIP TION:

FILE NO.

DRAWING BY

.X ± 0.2
.XX ±
.XXX ±
AWG

AREA	REVISIONS	HK	DATE
------	-----------	----	------

煜倫股份有限公司

UNIT / mm

SCALE 1:1

PROJECTION