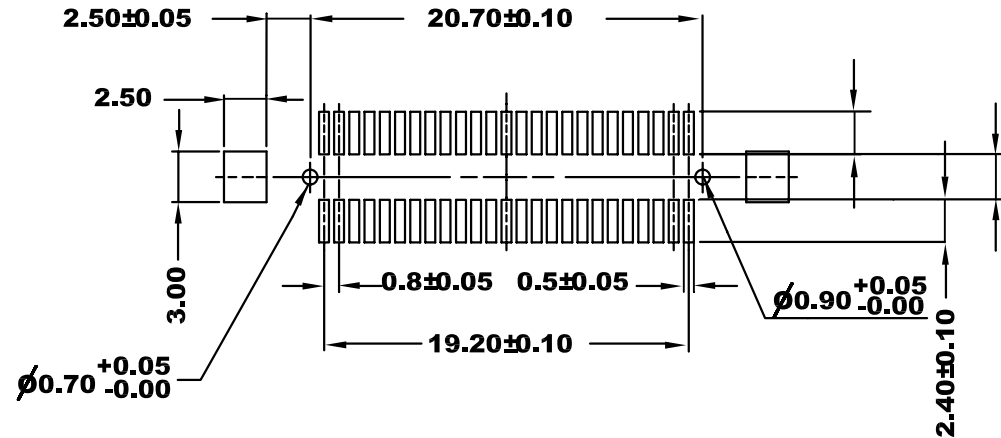
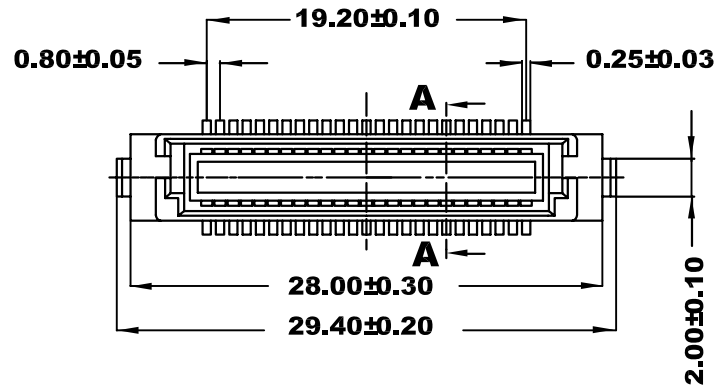


**Section A-A**



Stacking Height Code	h	H
JKX-S26-050	2.60	4.20
JKX-S33-050	3.30	4.90
JKX-S49-050	4.95	6.55

JKX-Sxx-050-LF  
LEADFREE

**RoHS Compliant**

**Materials**

**Contact:**Phosphor bronze,gold plating all over,nickel under plated.

**Retainer:**Phosphor bronze,tin plated.

**Insulator:**Glass-filled LCP/Black,UL94V-0.

**Rating**

**Current Rating:**0.5Amps.

**Operating Temperature:**-40 to +85° C.

**Contact Resistance:**70 milli OHM max.

**Electrical**

**Terminal resistance:**70 milli OHM maximum.

**Insulation resistance:**100 mega OHM minimum.

**Dielectric withstanding voltage:**500 VAC rms.(for one minute).

**MORE THAN ALL**  
CONNECTORS  
ASSEMBLIES

PART NO. JKX-Sxx-050

DWG NO. JKX-Sxx-050

FILE NO.

APPROVED BY CY

DRAWING BY

TOLERANCES ARE

.X ±0.30  
.XX ±0.20  
.XXX ±0.10  
AWG

DESCRIPTION: 0.80mm PITCH BOARD TO BOARD 50 PIN VERTICAL SMT

煜倫股份有限公司

UNIT / mm

SCALE 1:1

PROJECTION



AREA

REVISIONS

HK

DATE