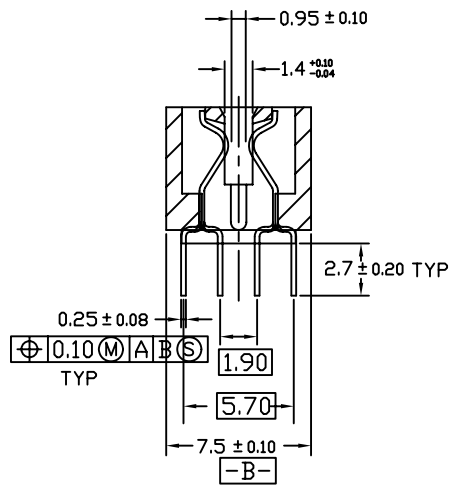
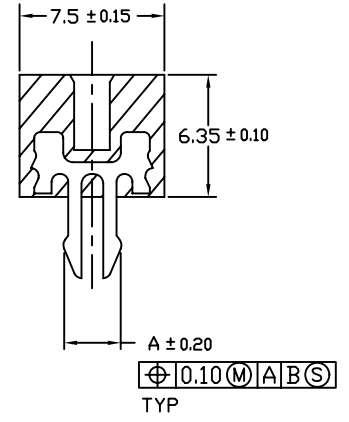


KSP LOGO IN THE MIDDLE OF THIS SIDE

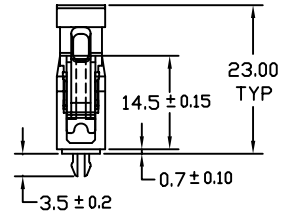
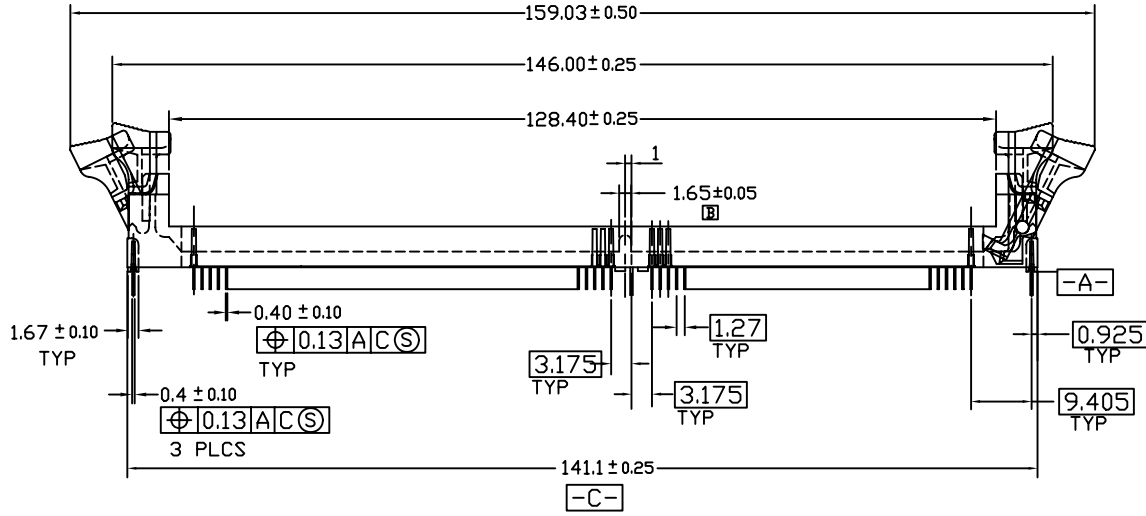
TOP VIEW WITHOUT EXTRACTORS



SEC:A-A
SCALE 3:1



SEC:B-B
SCALE 3:1



MORETHANALL
CONNECTORS
ASSEMBLIES

煜倫股份有限公司

PART NO. DIM-DZ-184

DWG NO. DIM-DZ-184

FILE NO.

UNIT / mm

SCALE 1:1

CHECKED BY CY

DRAWING BY

PROJECTION

TOLERANCES ARE

.X ± 0.2
.XX ±
.XXX ±
AWG

DESCRIP TION:			
AREA	REVISIONS	HK	DATE