

**Specification:**

Contact Resistance: 50m Ohm Max.

Insulation Resistance: 100M Ohm Min.

Voltage - Max:5V Maximum

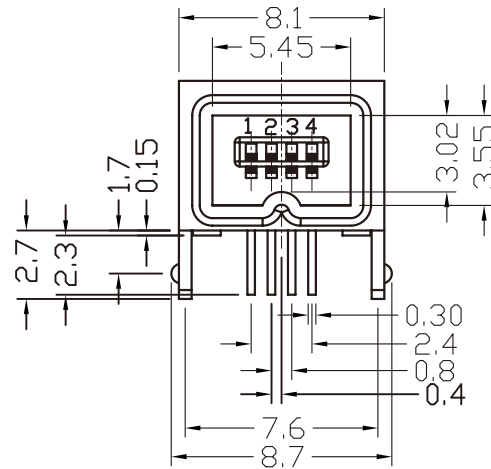
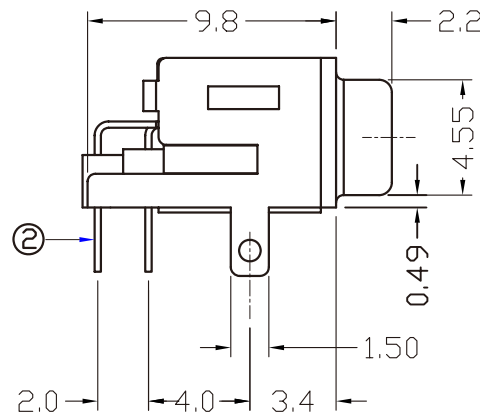
Current - Max:0.5A Maximum.

Dielectric Withstanding Voltage:

100V AC for 1 Minute.

Durability (Life Test): 1000 Cycles

Unmating Force:4.9 Newton TO 39 Newton Maximum.



NO.	NAME	MATERIAL	FINISH	REMARK	Q'TY
1	HOUSING	NYLON PA9T G.F	BLACK		1
2	PIN TERM.	PHOS. BRONZE t:0.25mm	GOLD-TIN PLATED	NI:40~60u',TIN:120u', GOLD:30u'	4
3	FRONT SHELL	STEEL t:0.5mm	NICKEL PLATED	NI:80~120u'	1
4	REAR SHELL	PHOS. BRONZE t:0.2mm	NICKEL PLATED	NI:80~120u'	1

**RoHS Compliant**

TOLERANCES ARE

**MORETHANALL**  
PCB CONNECTORS  
Cable ASSEMBLIES

DRAWING BY CY

X. ± 0.38

CHECKED BY GENIUS

.X ± 0.25

UNIT / mm

SCALE 1 : 1

.XX ± 0.13

DATE

.XXX ± 0.05

ANG ±

SIZE A4

P PROJECTION



**ORDER INFORMATION**

1394A-SR-04-LF

SERIES | | | LEADFREE  
| | | 04 WAY  
| | | DIP 90°  
| | | FEMALE

煜倫股份有限公司

www.morethanall.com

DESCRIPTION: IEEE 1394 AV CONNECTOR 4 PORT DIP 90° TYPE