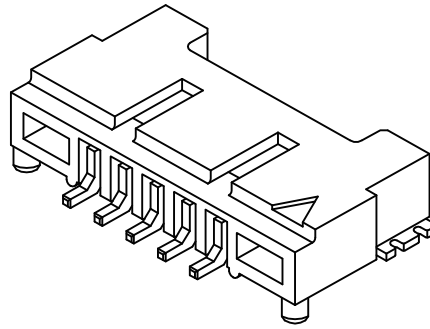


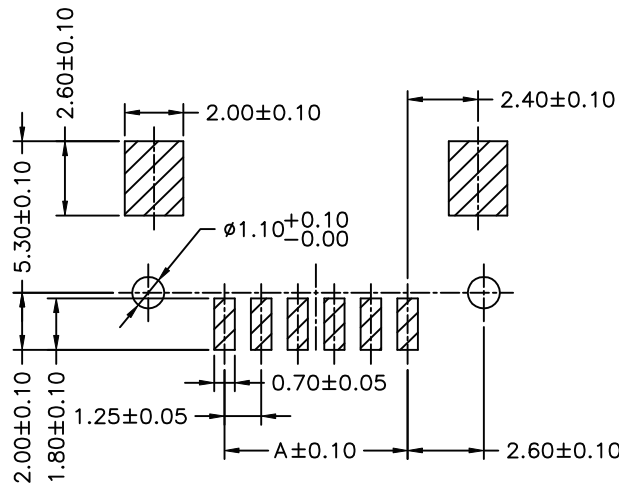
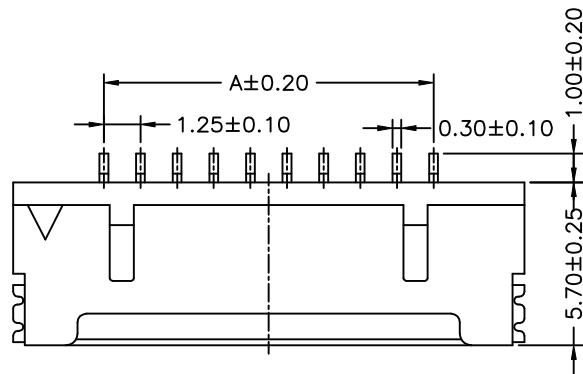
## SPECIFICATIONS

Current Rating: 1A AC,DC  
 Voltage Rating: 100V AC,DC  
 Temperature Range: -25°C ~ +85°C  
 Contact Resistance: 20mΩ Max.  
 Insulation Resistance: 500MΩ Min.  
 Withstanding Voltage: 500V AC/minute  
 Pin Material: Brass/Tin-plated  
 Solder Tabs: Brass/Tin-plated  
 Material: Nylon 6T,UL94V-0

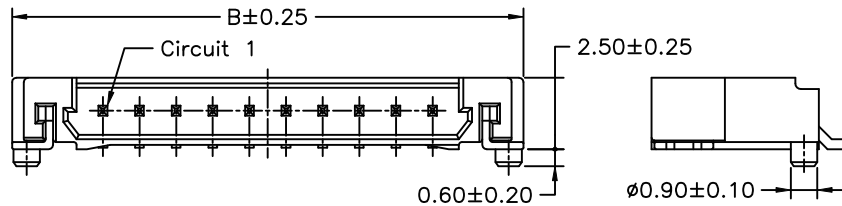


## Ordering Information & Dimensions

PART NO.	Dimensions	
	A	B
DF14-WPR-02	1.25	7.45
DF14-WPR-03	2.50	8.70
DF14-WPR-04	3.75	9.95
DF14-WPR-05	5.00	11.20
DF14-WPR-06	6.25	12.45
DF14-WPR-07	7.50	13.70
DF14-WPR-08	8.75	14.95
DF14-WPR-09	10.00	16.20
DF14-WPR-10	11.25	17.45
DF14-WPR-11	12.50	18.70
DF14-WPR-12	13.75	19.95
DF14-WPR-13	15.00	21.20
DF14-WPR-14	16.25	22.45
DF14-WPR-15	17.50	23.70
DF14-WPR-20	23.75	29.95
DF14-WPR-25	30.00	36.20
DF14-WPR-30	36.25	42.45



P.C.B. LAYOUT



**RoHS Compliant**

TOLERANCES ARE

**MORETHANALL**  
 PCB CONNECTORS  
 Cable ASSEMBLIES

DRAWING BY CY

CHECKED BY GENIUS

UNIT/ mm

SCALE 1:1

DATE

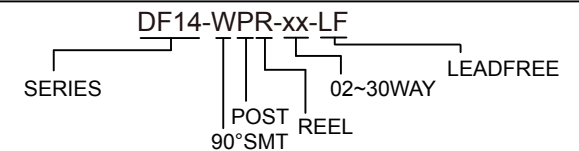
SIZE A4

PJECTION

X, ±  
 X, ±  
 .XX ±  
 .XXX ±  
 ANG ±



### ORDER INFORMATION

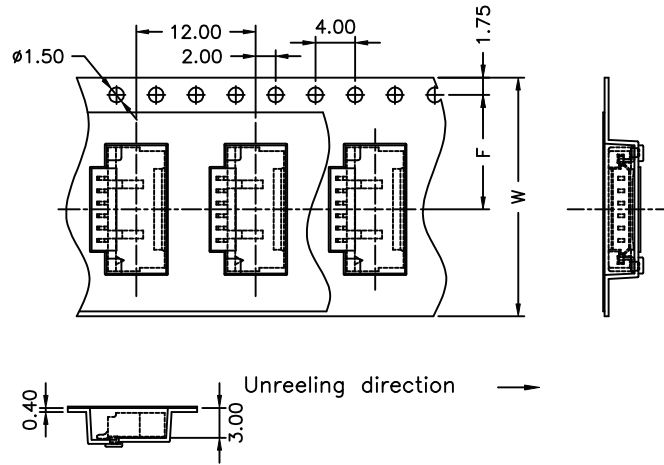


煜倫股份有限公司

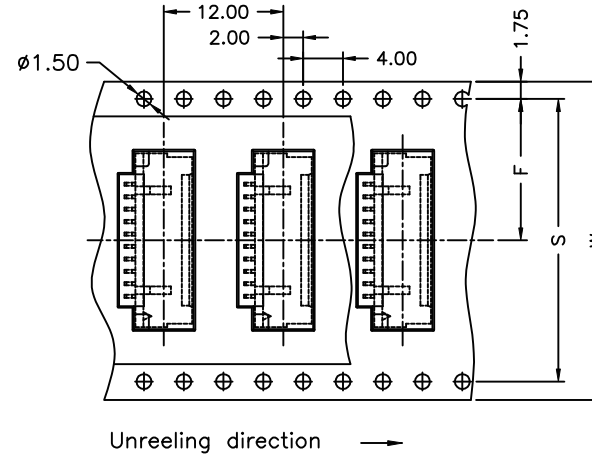
www.morethanall.com

DESCRIPTION:

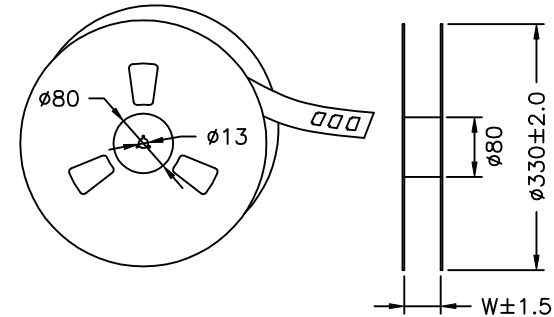
### 2~7 Contacts



### 8~30 Contacts



Number of Contacts	W±0.3	F±0.15	S±0.1	Q'ty/Reel
2P	16	7.5	---	1,000
3P	16	7.5	---	1,000
4P	24	11.5	---	1,000
5P	24	11.5	---	1,000
6P	24	11.5	---	1,000
7P	24	11.5	---	1,000
8P	32	14.2	28.40	1,000
9P	32	14.2	28.40	1,000
10P	32	14.2	28.40	1,000
11P	32	14.2	28.40	1,000
12P	32	14.2	28.40	1,000
13P	32	14.2	28.40	1,000
14P	44	20.2	40.40	1,000
15P	44	20.2	40.40	1,000
20P	44	20.2	40.40	1,000
25P	56	26.2	52.40	1,000
30P	56	26.2	52.40	1,000



**RoHS Compliant**

TOLERANCES ARE

**MORETHANALL**  
PCB CONNECTORS  
Cable ASSEMBLIES

DRAWING BY CY

CHECKED BY GENIUS

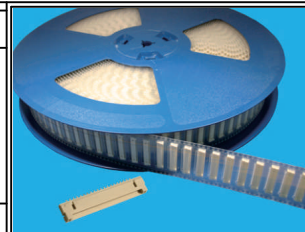
UNIT / mm SCALE 1 : 1

DATE

SIZE A4

X, ± 0.30  
.X ± 0.30  
.XX ± 0.20  
.XXX ± 0.20  
ANG ± 1°

PPOJECTION



**ORDER INFORMATION**

DF14-WPR-xx-LF



煜倫股份有限公司

www.morethanall.com

DESCRIPTION: