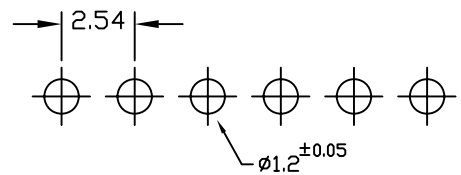
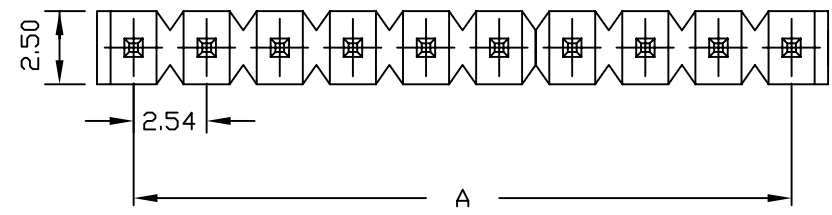


1 2 3 4 5 6 7 8 9 0

J  
I  
H  
G  
F  
E  
D  
C  
B  
A

SPECIFICATIONS

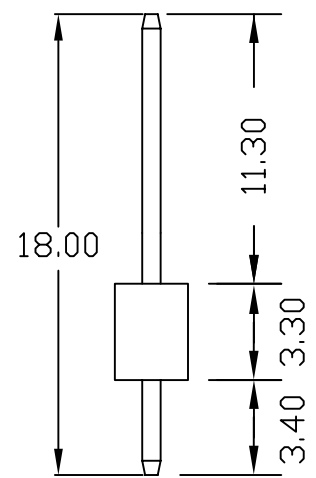
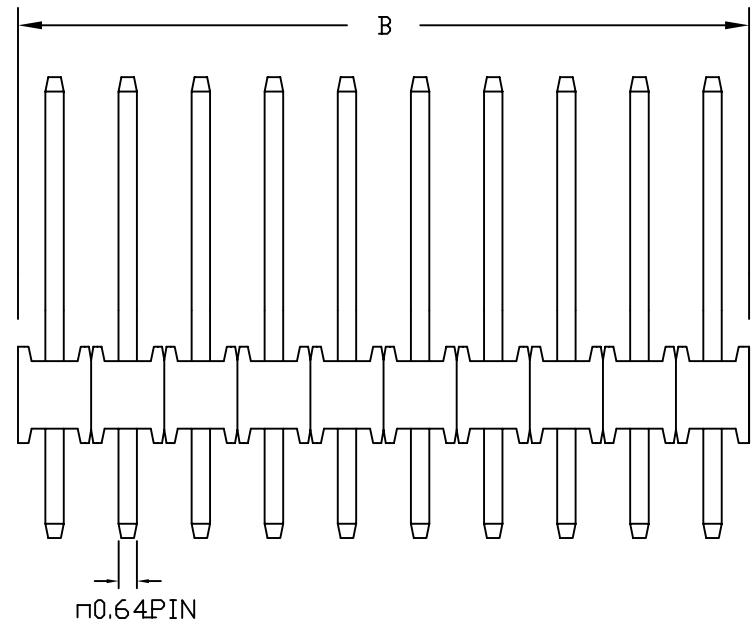
Pitch: 2.54mm  
 Current rating : 3A AC,DC  
 Voltage rating : 250V AC,DC  
 Temperature range:-25 C ~+85 C  
 Insulation resistance : 1000M  
 Withstanding voltage : 1000V ac



PCB LAYOUT COMPONENT SIDE

MX-DL-xx-LF  
 LEADFREE

RoHS Compliant



Poles	Dimension	
	A	B
2	2.54	5.08
3	5.08	7.62
4	7.62	10.16
5	10.16	12.70
6	12.70	15.24
7	15.24	17.78
8	17.78	20.32
9	20.32	22.86
10	22.86	25.40
11	25.40	27.94
12	27.94	30.48
13	30.48	33.02
14	33.02	35.56
15	35.56	38.10
16	38.10	40.64
17	40.64	43.18
18	43.18	45.72
19	45.72	48.26
20	48.26	50.80



PART NO. MX-DL-xx

DWG NO. MX-DL-xx

FILE NO.

APPROVED BY CY

DRAWING BY

TOLERANCES ARE  
 .X  
 .XX  
 .XXX  
 AWG

DESCRIPTION:

煜倫股份有限公司

UNIT / mm

SCALE 1:1

PROJECTION

AREA

REVISIONS

HK

DATE