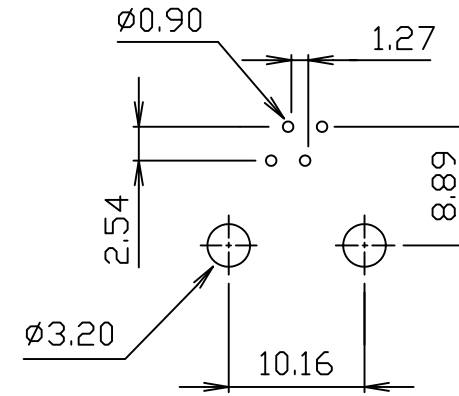


MATERIALS:
 · HOUSING-PBT POLYESTER UL94V-0
 MIXED GLASS FIBER.
 STANDARD COLOR-BLACK
 · CONTACTS-0.45mm DIA. ROUND PHOS-BRONZE
 PLATED WITH HARD GOLD.
 CAVITY CONFIRMS TO FCC RULES AND REGULATIONS



PC Board Layout

RoHS Compliant

TOLERANCES ARE

MORETHANALL
 PCB CONNECTORS
 Cable ASSEMBLIES

DRAWING BY CY

CHECKED BY GENIUS

UNIT / mm

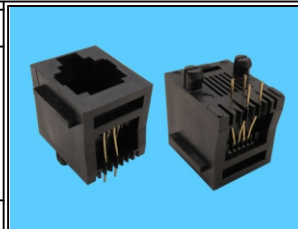
SCALE 1 : 1

DATE

SIZE A4

P PROJECTION

X, ±
 X ± 0.25
 .XX ± 0.13
 .XXX ± 0.05
 ANG ±



ORDER INFORMATION

MJD16-KE06-0604-LF

SERIES

LEADFREE

6P4C
 06u" GOLD
 EARS
 BLACK

煜倫股份有限公司

www.morethanall.com

DESCRIPTION: 6P4C 180° (SPLIT PEGS) TOP ENTRY PCB JACK