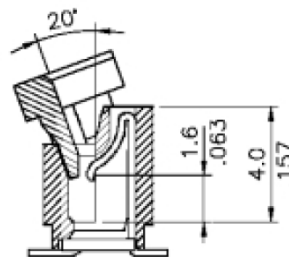


$A = 1.00 \times \text{No. of Spaces}$
 $B = A + 7.2$
 $C = A + 2.1$

* Available in 4 through 32 circuits

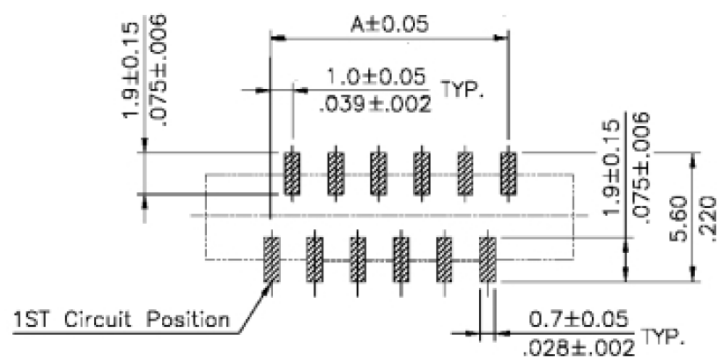
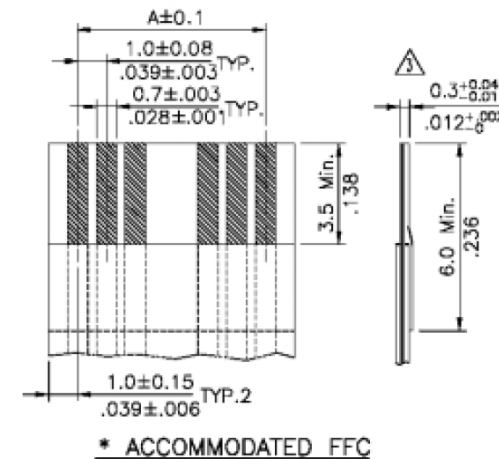


Material:

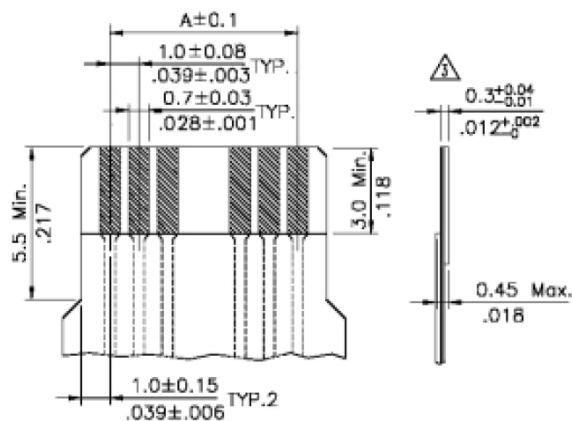
* Insulation: Nylon 6T UL 94V-0
Color Nature

* Slider: Nylon 6T UL 94V-0, Color Brown

* Contact: Phosphor Bronze



Recommended P.C. Board Layout



RoHS Compliant

TOLERANCES ARE

MORETHANALL
PCB CONNECTORS
Cable ASSEMBLIES

DRAWING BY CY

X, ±

CHECKED BY GENIUS

X, ±

UNIT / mm SCALE 1 : 1

.XX ±

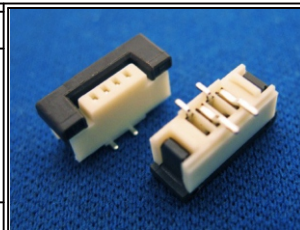
DATE

.XXX ±

ANG ±

SIZE A4

PJECTION



ORDER INFORMATION

FPA-VZAL52-xx-LF
SERIES | | | | LEAD FREE
180°SMT | | | | HIGH 5.2mm
ZIF | L TYPE FOOT POSITION
SINGLE CONTACT

DESCRIPTION:

煜倫股份有限公司

www.morethanall.com