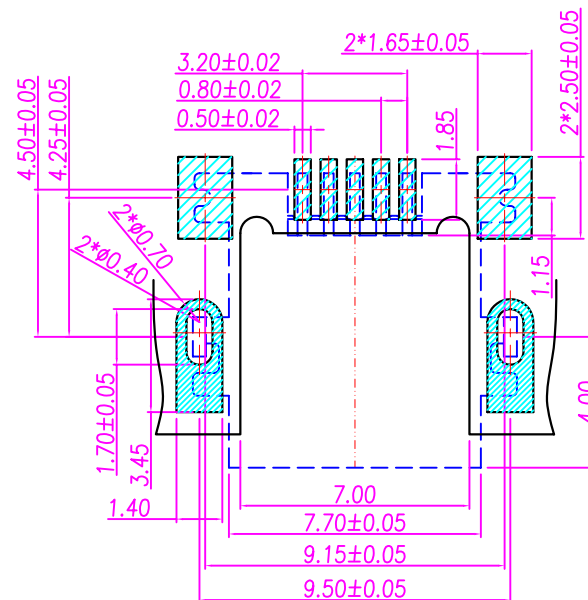
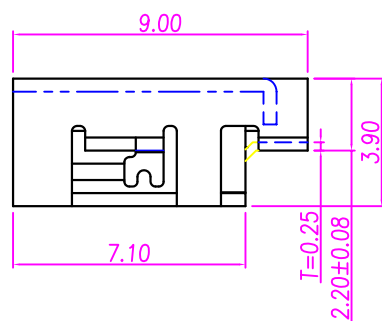
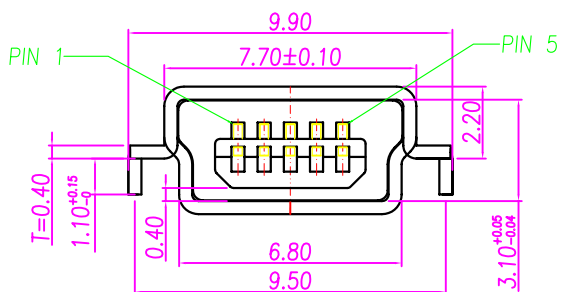
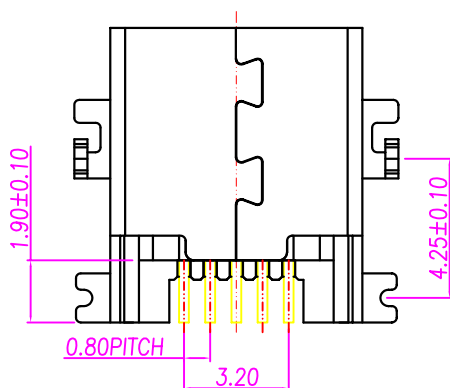


REEL PACKGE WITH MYLAR



RECOMMENDED P.C.B. LAYOUT



NOTE:

- 1.ELECTRICAL PROPERTIES:
 - 1-1.CONTACT CURRENT RATING:1A AT 250V AC MIN.
 - 1-2.CONTACT RESISTANCE:30m Ohm MAX
 - 1-3.INSULATION RESISTANCE:100M Ohm MIN.
 - 1-4.DIELECTRIC WITHSTANDING VOLTAGE:AC 500V/1 MINUTE.
- 2.MATERIAL:
 - 2-1.TERMINAL:PHOSPHOR BRONZE(C5191R-H),T=0.25mm.
 - 2-2.HOUSING:LCP
 - 2-3.SHELL : BRASS C2680 T=0.40mm.
- 3.PLATING:
 - 3-1.TERMINAL: GOLD 10u" MIN ON CONTACT AREA, UNDERPLATED NICKEL OVER ALL 50u" MIN.
 - 3-2.SHELL: NICKEL 60u"

| BOM | |
|-----|---------|
| 5 | CONTACT |
| 1 | SHELL |
| 1 | HOUSING |
| 数量 | 零件 |

MSB-SWFMEC-5B-LF
LEADFREE
RoHS Compliant

MORETHANALL
CONNECTORS
ASSEMBLIES

PART NO. MSB-SWFMEC-5B

DWG NO. MSB-SWFMEC-5B

FILE NO.

UNIT / mm

SCALE 1:1

CHECKED BY CY

DRAWING BY

PROJECTION

TOLERANCES ARE

.X ± 0.2
.XX ± 0.1
.XXX ±
AWG

DESCRIP TION: Mini Usb 5P(F) 破板式

AREA

REVISIONS

HK

DATE

煜倫股份有限公司