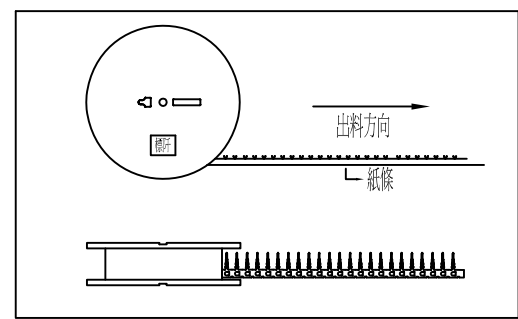


■ **TERMINAL**

- Material: Phos. bronze
- Thickness: 0.15mm
- Plating: Gold plated 4u"
- Wire Range: Suitable for AWG#30~36
- Insulation .ID:  $\phi 0.75 \sim 0.27\text{mm}$  (max)
- Q'TY: 15,000 pcs/reel

FIR-TB-30-LF  
LEADFREE  
RoHS Compliant



**MORETHANALL**  
CONNECTORS  
ASSEMBLIES

煜倫股份有限公司

PART NO. FIR-TB-30		CHECKED BY CY	TOLERANCES ARE .X ± 0.2 .XX ± .XXX ± AWG	DESCRIP TION: MINI-CRIMP 0.5mm TERMINAL		
DWG NO. FIR-TB-30						
FILE NO.		DRAWING BY	AREA	REVISIONS	HK	DATE
UNIT / mm	SCALE 1:1	PROJECTION				