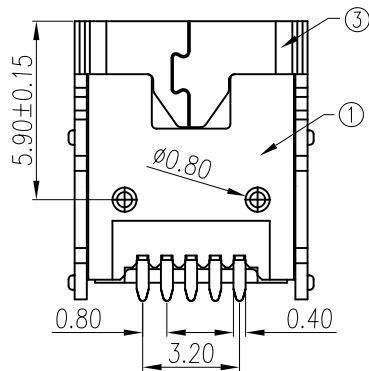
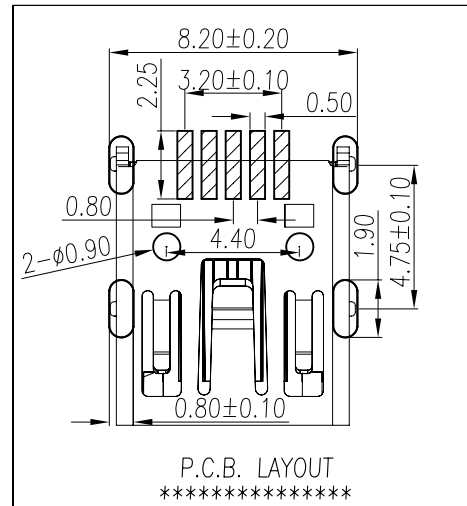
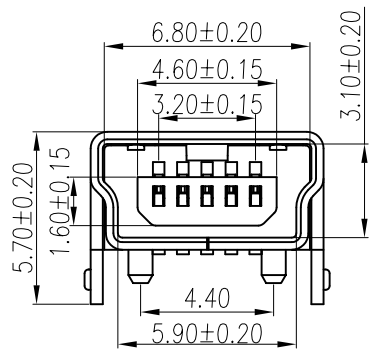


Note:

Specification:

1. Current rating: 1 A Max.
2. Dielectric withstanding voltage: 500 V(ac) for 1 minute.
3. Contact resistance: 30 mΩ Max.
4. Insulation resistance: 1000 MΩ Min at DC 500V.
5. Insertion force: 30 Newtons Max.
6. Extraction force: 5 Newtons Min.
7. Temperature range: -55°C~+105°C



3	Shell	1	Brass	T=0.30mm	80u"~120u" Nickel Plated
2	Contact	5	Phosphor bronze	T=0.25mm	Contact area:0.8~1.2u"Gold Plated over 40u"Nickel min Solder area:80~120u"Tin Plated over 40u"Nicked Min.
1	Housing	1	PBT	UL 94-V0	Black
No.	Name	Q'ty	Material	Remarks&Thickness	Finish

RoHS Compliant

TOLERANCES ARE

MORETHANALL
PCB CONNECTORS
Cable ASSEMBLIES

DRAWING BY CY

X.±

CHECKED BY GENIUS

.X±

UNIT / mm

SCALE 1 : 1

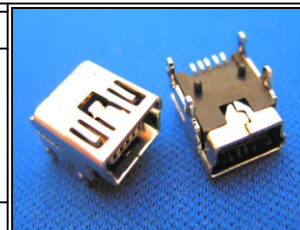
.XXX±

DATE

ANG±

SIZE A4

P PROJECTION



ORDER INFORMATION

MSB-SWMMP-5B-LF
SERIES | | | | LEADFREE
5 PIN B TYPE
POST
METAL FOOT
90°SMT
FEMALE

煜倫股份有限公司

www.morethanall.com

DESCRIPTION: MINI USB-5PIN(F) B TYPE S.M.T(四腳)