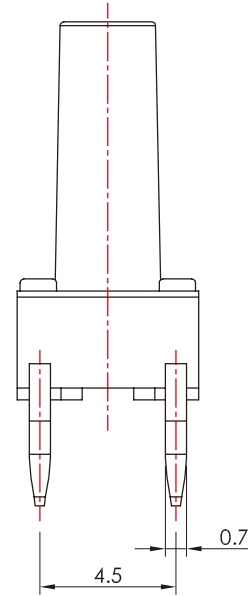
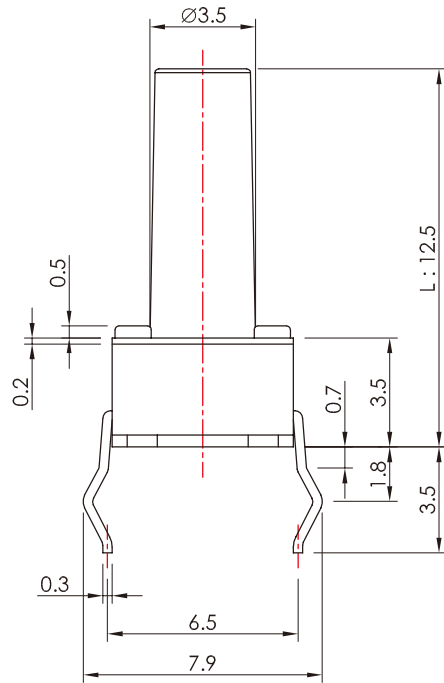
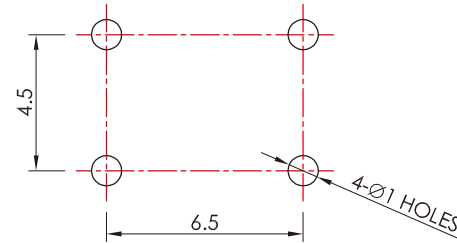


P.C.B LAYOUT



**SPECIFICATION**

**Rating:** 50mA 12V DC.

**Travel:** 0.25±0.1mm.

**Contact resistance:** 100mΩ Max. (initial)

**Operating force:** 250±50g.

**Minimum load:** 10mA 3.3V DC. (reference only)

**Operating life:** 100,000 Cycles.

**Soldering temperature:** 250°C Max for 3 Sec.

**Soldering time:** 1 time only.

**Note:** Not washable, don't immerse into epoxy and organic solvent.

**MATERIAL**

**Stem:** High-temp thermoplastic Nylon 66.

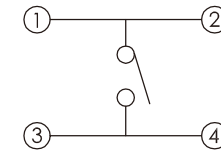
**Cover:** SPCC, with Tin plating.

**Contact:** Phosphor bronze, with silver cladding.

**Terminal:** Brass, with silver cladding.

**Base:** High-temp thermoplastic Nylon 66, molded black.

CIRCUIT DIAGRAM



**RoHS Compliant**

TOLERANCES ARE

**MORETHANALL**  
PCB CONNECTORS  
Cable ASSEMBLIES

煜倫股份有限公司

www.morethanall.com

DRAWING BY CY

CHECKED BY GENIUS

UNIT / mm

SCALE 1 : 1

DATE

SIZE A4

X, ±

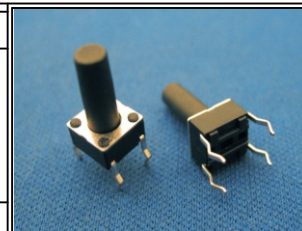
.X ±

.XX ±

.XXX ±

ANG ±

PJECTION



ORDER INFORMATION

**TSW66-DQ125-250-LF**  
SERIES | LEADFREE  
250g  
HIGH 12.5mm  
4 PIN  
DIP 180°

DESCRIPTION: **Tact Switch**