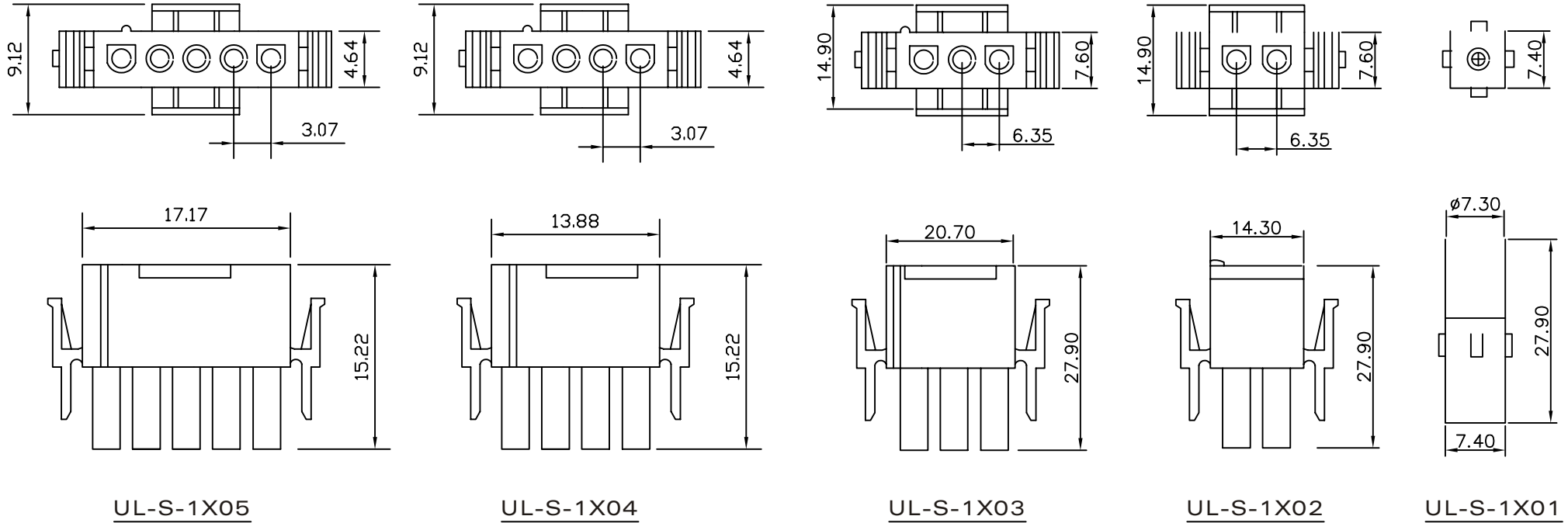


UL-S-1Xxx-LF
LEADFREE
RoHS Compliant

SPECIFICATIONS
Voltage rating: 300V AC,DC
Current rating: 12A AC,DC
Withstanding voltage: 1500V AC/minute
Insulation resistance: 1000M Ω min
Temperature range: -25°C~+90°C
Material: UL94V-2 nylon 66



PART NO. UL-S-1Xxx

DWG NO. UL-S-1Xxx

CHECKED BY CY

TOLERANCES ARE

DESCRIP TION:

FILE NO.

DRAWING BY

.X ± 0.2
.XX ±
.XXX ±
AWG

AREA	REVISIONS	HK	DATE
------	-----------	----	------

UNIT / mm

SCALE 1:1

PROJECTION

煜倫股份有限公司