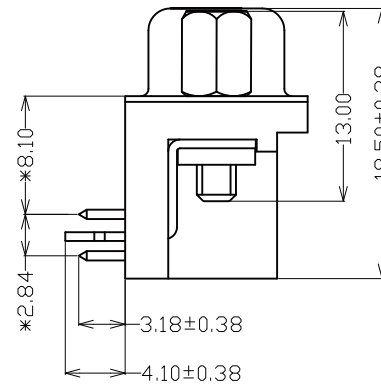
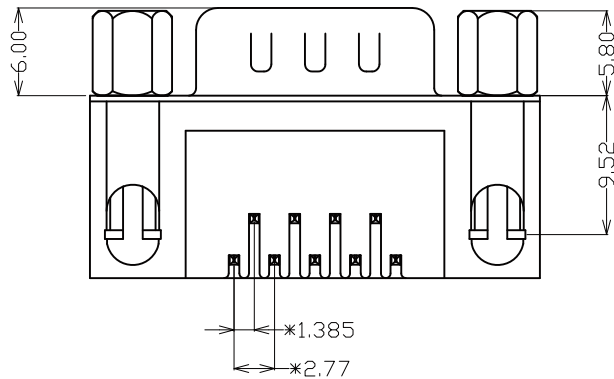
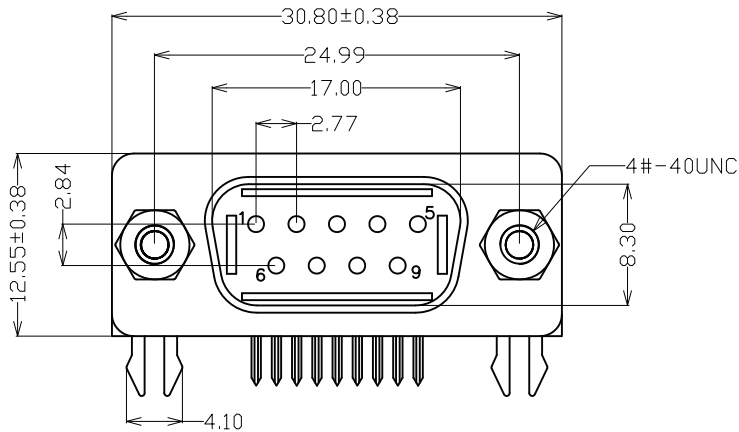


P.C.B. LAYOUT (TOLERANCE ±0.05)

TOP VIEW



NOTES:

1.MATERIAL

- 1.1 Insulator:PBT+30%Glass Fiber
- 1.2 Contact: Brass
- 1.3 Contact Plated:Gold/TIN PLATED
- 1.4 Shell:Steel,Nickel Plated
- 1.5 Screw:Brass, Nickel Plated

2.SPECIFICATION

- 2.1 Current Rate:5 Amps
- 2.2 Insulator Resistance:1000M Min. at 500V DC
- 2.3 Dielectric Strength:1000V Per minute
- 2.4 Operation Temperature:-55°C to+105°C

RoHS Compliant

TOLERANCES ARE

MORETHANALL
PCB CONNECTORS
Cable ASSEMBLIES

煜倫股份有限公司

www.morethanall.com

DRAWING BY CY

CHECKED BY GENIUS

UNIT/mm

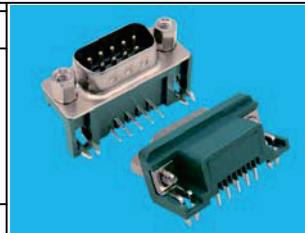
SCALE 1:1

DATE

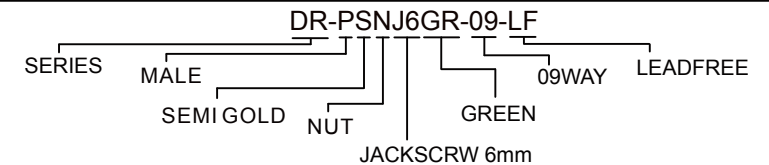
SIZE A4

PJECTION

X. ±
.X ± 0.38
.XX ± 0.25
.XXX ± 0.15
ANG ±



ORDER INFORMATION



DESCRIPTION: DR9公叉鉚鎖半金 8.1鎖螺絲5.8*13.0RoHS