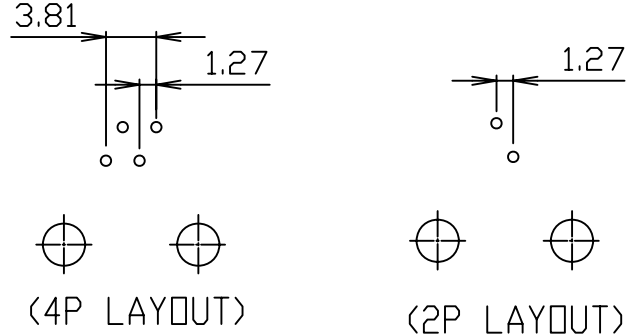


MATERIAL: HOUSING-PBT POLYESTER UL94V-0  
 MIXED GLASS FIBER.  
 STANDARD COLOR-BLACK  
 CONTACTS-0.45mm DIAMETER PHOS-BRONZE  
 PLATED WITH HARD GOLD.  
 CAVITY CONFIRMS TO FCC RULES AND REGULATIONS

MJ11-KX06-0606-LF LEADFREE  
 06:06u" GOLD  
 15:15u" GOLD  
 0602 = 6P2C  
 0604 = 6P4C  
 0606 = 6P6C



PC Board Layout

RoHS Compliant

B			PART NO. MJ11-KX06-06xx		TOLERANCES ARE .X ± 0.25 .XX ± 0.13 .XXX ± 0.05 AWG	DESCRIPTION: 6 POSITION SIDE ENTRY VERY LOW PROFILE, PCB JACK			
			DWG NO. MJ11-KX06-06xx	APPROVED BY CY					
A			FILE NO.			AREA	REVISIONS	HK	DATE
			UNIT / mm	SCALE 1:1					