

PCC-PWL40V3RS-68-LF
LEADFREE

RoHS Compliant

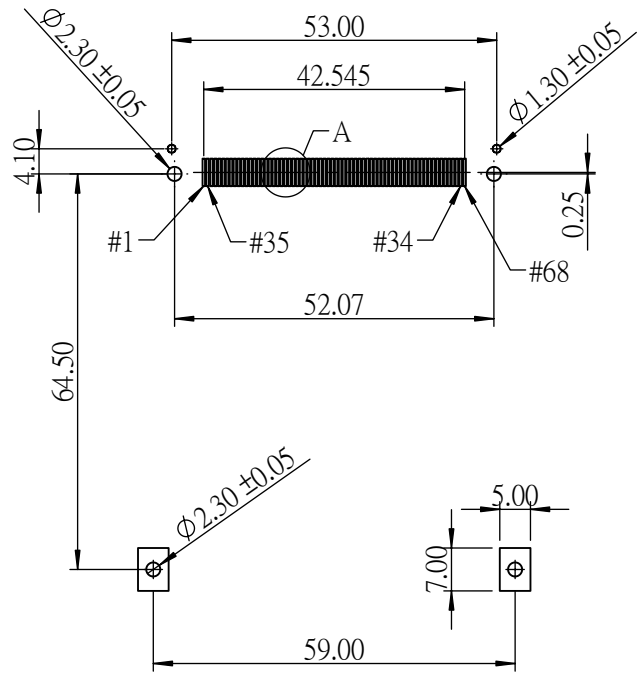
MORETHANALL
CONNECTORS
ASSEMBLIES

煜倫股份有限公司

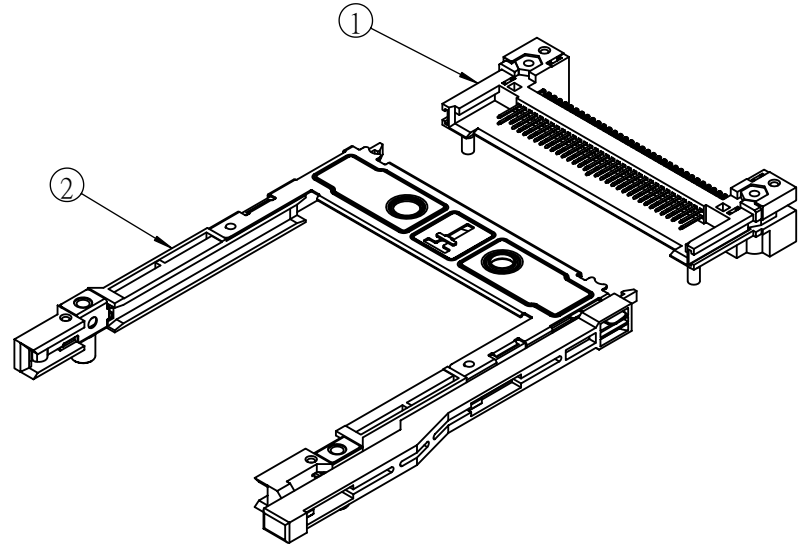
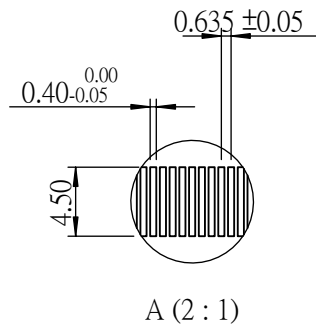
PART NO. PCC-PWL40V3RS-68		CHECKED BY CY	TOLERANCES ARE .X ± 0.2 .XX ± 0.1 .XXX ± AWG	DESCRIP TION: PCMCIA ASSEMBLY			
DWG NO. PCC-PWL40V3RS-68							
FILE NO.		PROJECTION	AREA	REVISIONS	HK	DATE	
UNIT / mm	SCALE 1:1						

1 2 3 4 5 6 7 8 9 0

J
I
H
G
F
E
D
C
B
A



PCB LAYOUT : COMPONENT SIDE



ITEM	PART NO.	NAME
1	A11C1A004010P00	HEADER
2	A1A11D114000P00	EJECTOR



PART NO. PCC-PWL40V3RS-68

DWG NO. PCC-PWL40V3RS-68

CHECKED BY CY

TOLERANCES ARE

DESCRIPTION: PCMCIA ASSEMBLY

FILE NO.

DRAWING BY

.X ± 0.2
.XX ± 0.1
.XXX ±
AWG

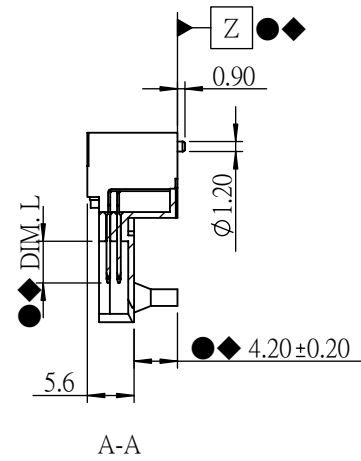
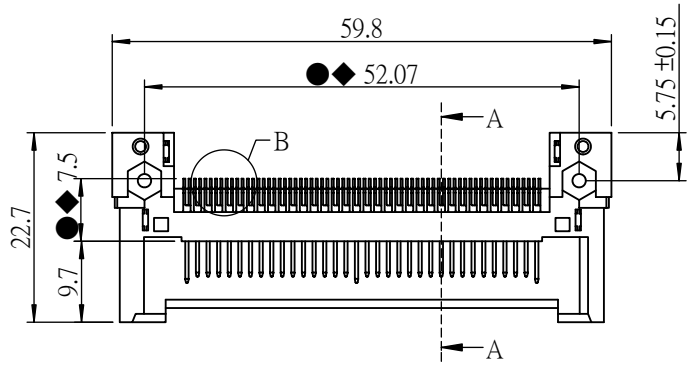
AREA	REVISIONS	HK	DATE

煜倫股份有限公司

UNIT / mm

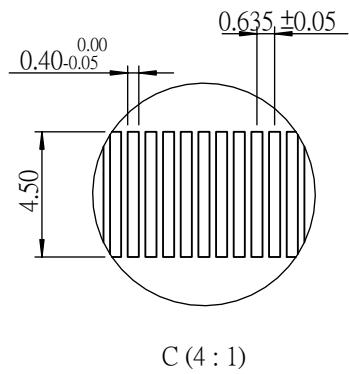
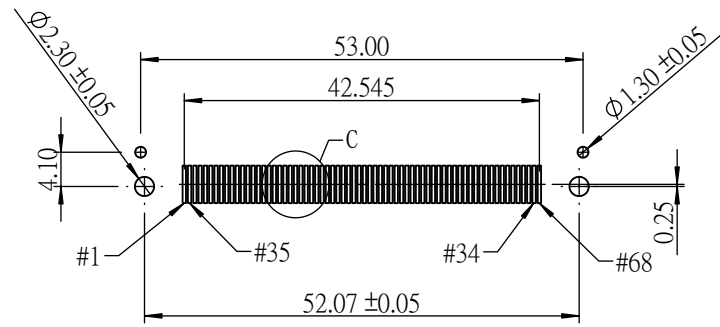
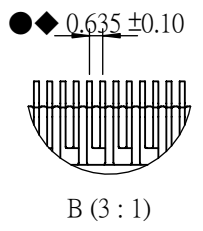
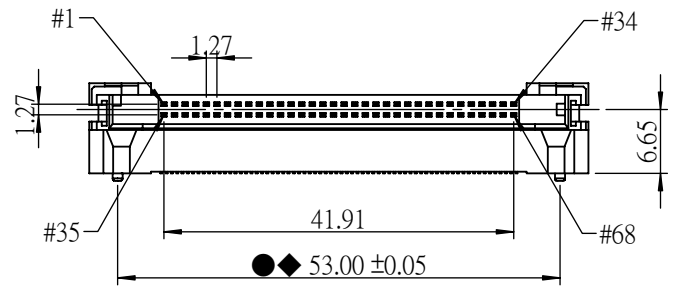
SCALE 1:1

PROJECTION



NOTE:
 1. SOLDERTAIL TO BE WITHIN 0.05 UPWARD AND 0.2 DOWNWARD FROM Z-DATUM PLACE, AND COPLANALITY OF SOLDERTAILS TO BE WITHIN 0.12. MEASUREMENT POINT IS SOLDERTAILS TIP.
 2. INSPECTION SYMBOL:
 ● : MANUFACTURER INSPECTION
 ◆ : Q.C INSPECTION
 3. PLEASE REFER TO TABLE 1 FOR TERMINAL LENGTH. TABLE 1

PIN TYPE	DIM. L ±0.20	PIN NUMBER
DETECT	3.50 mm	36 , 67
GENERAL	4.25 mm	THE REST
POWER	5.00 mm	1, 17, 34, 35, 51, 68



PCB LAYOUT : COMPONENT SIDE



PART NO. PCC-PWL40V3RS-68

DWG NO. PCC-PWL40V3RS-68

CHECKED BY CY

TOLERANCES ARE

DESCRIP TION: PCMCIA ASSEMBLY

煜倫股份有限公司

FILE NO.

DRAWING BY

.X ± 0.2
.XX ± 0.1
.XXX ±
AWG

AREA	REVISIONS	HK	DATE

UNIT / mm SCALE 1:1

PROJECTION