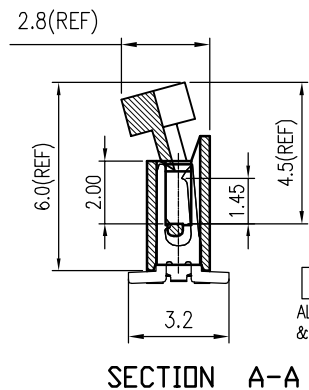


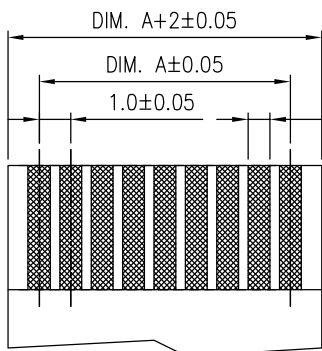
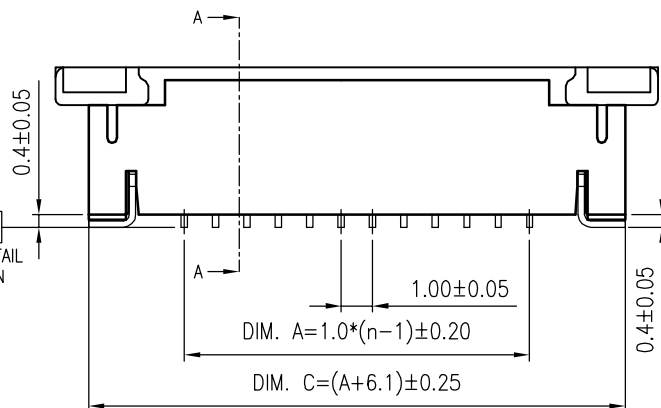
NO. OF CONTACTS
4 PIN~14 PIN

■ MATERIAL

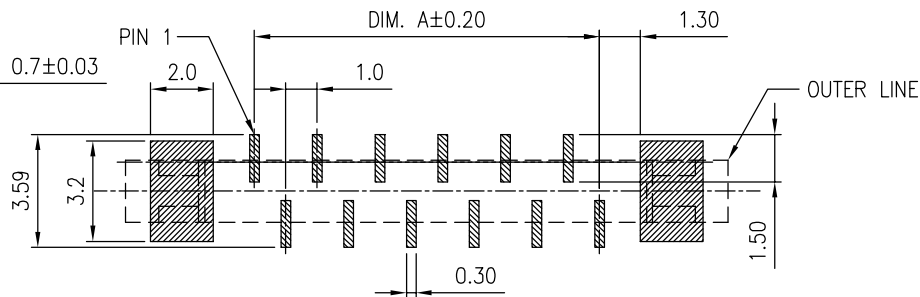
HOUSING: HIGH-TEMP 94V-0, COLOR: NATURAL.
ACTUATOR: HIGH-TEMP 94V-0, COLOR: BLACK.
CONTACT: COPPER ALLOY.
PLATING: ALL TIN,LEAD FREE OR ALL GOLD
HOLDDOWN: COPPER ALLOY. PLATING: ALL TIN,LEAD FREE.
CAP: COPPER ALLOY. PLATING: Ni.



0.10
ALL SOLDER TAIL & HOLDDOWN



FFC/FPC DIMENSION
THICKNESS 0.30 ±0.03mm



RECOMMENDED PCB LAYOUT
TOLERANCE: ±0.05

■ DIMENSION TABLE

Circuits	Dimension				
	A	B	C	D	E
4	3.00	5.10	9.10	11.20	10.40
5	4.00	6.10	10.10	12.20	11.40
6	5.00	7.10	11.10	13.20	12.40
7	6.00	8.10	12.10	14.20	13.40
8	7.00	9.10	13.10	15.20	14.40
9	8.00	10.10	14.10	16.20	15.40
10	9.00	11.10	15.10	17.20	16.40
11	10.00	12.10	16.10	18.20	17.40
12	11.00	13.10	17.10	19.20	18.40
13	12.00	14.10	18.10	20.20	19.40
14	13.00	15.10	19.10	21.20	20.40

RoHS Compliant

TOLERANCES ARE

MORETHANALL
PCB CONNECTORS
Cable ASSEMBLIES

DRAWING BY CY

X.±

CHECKED BY GENIUS

.X±

UNIT / mm

SCALE 1 : 1

.XX±

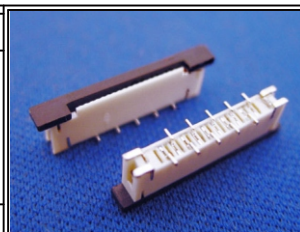
DATE

.XXX±

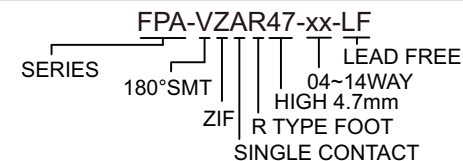
ANG±

SIZE A4

P PROJECTION



ORDER INFORMATION



煜倫股份有限公司

www.morethanall.com

DESCRIPTION: FPC/FFC 1.0 PITCH CONNECTOR , ZIF SMT TYPE BODY WIDTH 2.0 mm