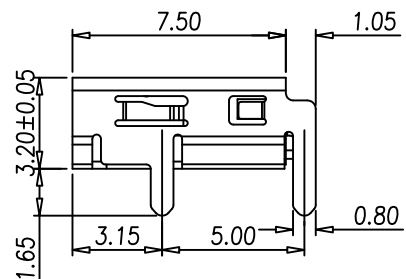
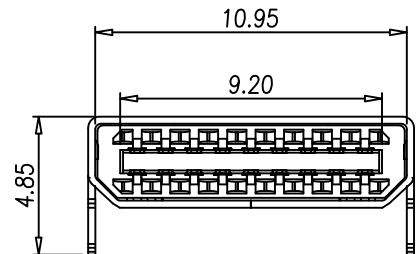
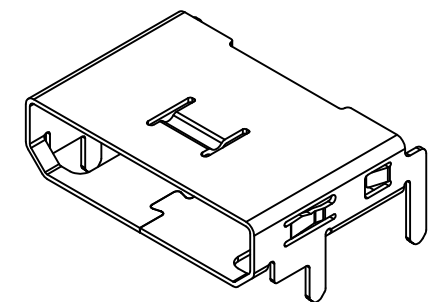
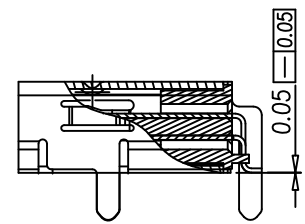
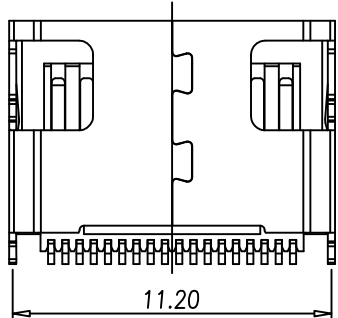


RECOMMEND P.C.B LAYOUT



1. MATERIAL :
  - 1-1. HOUSING : LCP UL94V-0 ; COLOR : BLACK
  - 1-2. CONTACT : COPPER ALLOY
  - 1-3. SHELL : COPPER ALLOY
2. FINISH :
  - 2-1. CONTACT :
    - CONTACT AREA : 10 MICRO INCHES MIN. GOLD PLATED
    - SOLDER AREA : TIN
    - UNDER PLATE : NICKEL
  - 2-2. SHELL : SEE TABLE A



MSB-SW-18B-LF  
LEADFREE

RoHS Compliant



PART NO. MSB-SW-18B		CHECKED BY CY		TOLERANCES ARE .X ± 0.2 .XX ± .XXX ± AWG	DESCRIPTION:			
DWG NO. MSB-SW-18B		DRAWING BY						
FILE NO.		PROJECTION		AREA	REVISIONS	HK	DATE	
UNIT / mm		SCALE 1:1						

煜倫股份有限公司