

No. of Contacts	DIM. A	DIM. B	DIM. C	DIM. D
04	3.00	5.30	11.10	10.10
05	4.00	6.30	12.10	11.10
06	5.00	7.30	13.10	12.10
07	6.00	8.30	14.10	13.10
08	7.00	9.30	15.10	14.10
09	8.00	10.30	16.10	15.10
10	9.00	11.30	17.10	16.10
11	10.00	12.30	18.10	17.10
12	11.00	13.30	19.10	18.10
13	12.00	14.30	20.10	19.10
14	13.00	15.30	21.10	20.10
15	14.00	16.30	22.10	21.10
16	15.00	17.30	23.10	22.10
17	16.00	18.30	24.10	23.10
18	17.00	19.30	25.10	24.10
19	18.00	20.30	26.10	25.10
20	19.00	21.30	27.10	26.10
21	20.00	22.30	28.10	27.10
22	21.00	23.30	29.10	28.10
23	22.00	24.30	30.10	29.10
24	23.00	25.30	31.10	30.10
25	24.00	26.30	32.10	31.10
26	25.00	27.30	33.10	32.10
27	26.00	28.30	34.10	33.10
28	27.00	29.30	35.10	34.10
29	28.00	30.30	36.10	35.10
30	29.00	31.30	37.10	36.10
32	31.00	33.30	39.10	38.10

1. Contacts Finish: Tin 100 "u" Over Nickel 50 "u"
2. Material: Insulator: Thermoplastic
Contacts: Phosphor Bronze

MORETHANALL
PCB CONNECTORS
Cable ASSEMBLIES

煜倫股份有限公司

www.morethanall.com

RoHS Compliant

DRAWING BY CY

CHECKED BY GENIUS

UNIT/mm SCALE 1:1

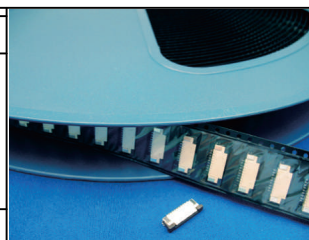
DATE

SIZE A4

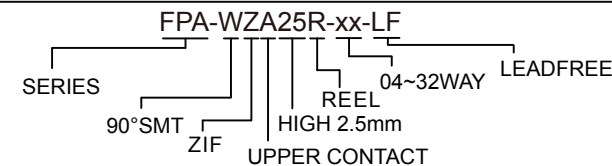
TOLERANCES ARE

X, ±
.X ±
.XX ±
.XXX ±
ANG ±

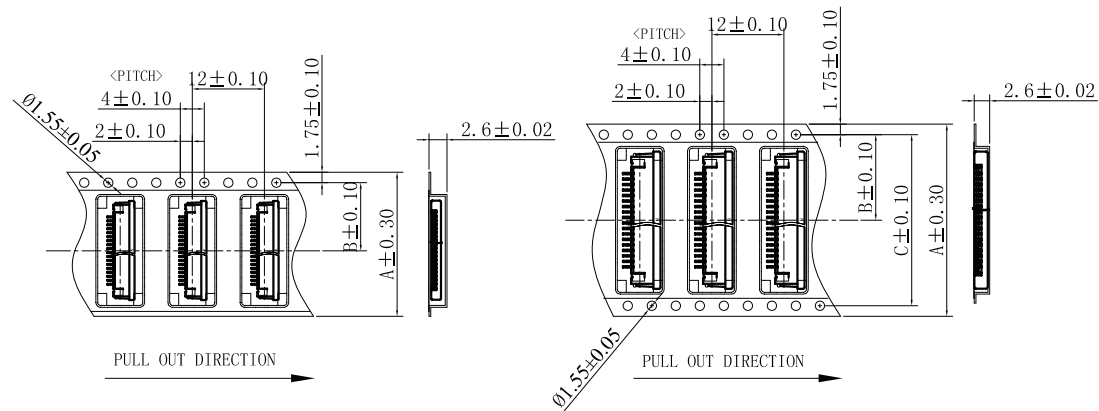
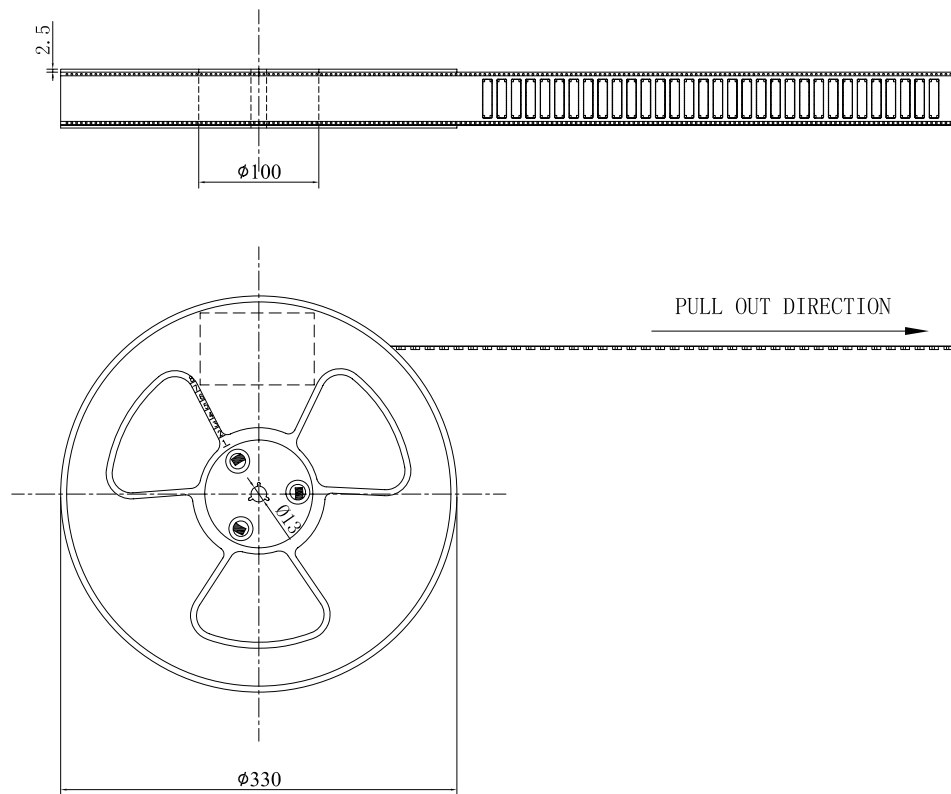
PJECTION



ORDER INFORMATION



DESCRIPTION: FFC/FPC Connector ZIF
Right Angle Upper Contact Type 1.0 mm H=2.5mm



接触点数量 No. of Contacts	部品名称 Part Number	尺寸:A DIM :A	尺寸:B DIM :B	尺寸:C DIM :C
4	1.0 - 4P	32	14.20	28.40
18	1.0 - 18P			
19	1.0 - 19P	44	20.25	40.50
24	1.0 - 24P			
25	1.0 - 25P	56	26.25	52.50
30	1.0 - 30P			

备注:

- 10个定位孔之间的累计公差为: $\pm 0.20\text{mm}$;
(10 sprocket hole pitch cumulative tolerance: $\pm 0.20\text{mm}$;))
- Corner camber is within 1 mm in 100mm;
- 材质: 蓝色100%可回收合成聚苯乙烯;
(Motenal: Blue Conductive Polystyrene Alloy 100% recyclable;)
- 所有尺寸标注适合“ELA-481-3”要求;
(All dimensions meet ELA-481-3 requirements;)
- 材料厚度: $0.3 \pm 0.05\text{mm}$;
(Material Thickness: $0.3 \pm 0.05\text{mm}$;))
- 如果在卷带宽度(尺寸“A”处)为24mm的情况下, 则卷带为单边带定位孔;
(For tape width (dimension A) 24mm a pilot hole is provided on one side;)
如果在卷带宽度(尺寸“A”处)为32mm和44mm的情况下, 则卷带为两边带定位孔。
(For tape width (dimension A) 32mm and 44mm pilot holes are provided on both sides.)
- 每卷装1500PCS.

RoHS Compliant

MORETHANALL
PCB CONNECTORS
Cable ASSEMBLIES

煜倫股份有限公司

www.morethanall.com

DRAWING BY CY

CHECKED BY GENIUS

UNIT/ mm

SCALE 1:1

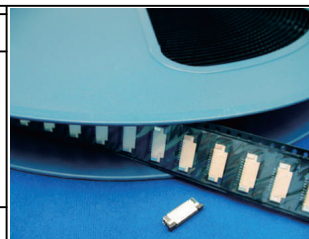
DATE

SIZE A4

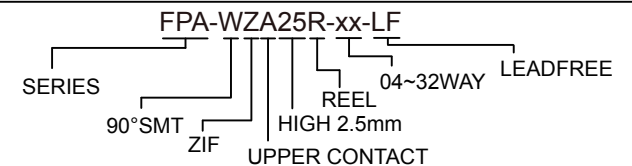
TOLERANCES ARE

X. \pm
.X \pm
.XX \pm
.XXX \pm
ANG \pm

PJECTION



ORDER INFORMATION



DESCRIPTION: FPC 1.0mm H=2.5 90° Packing