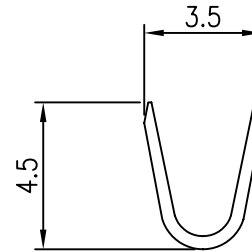
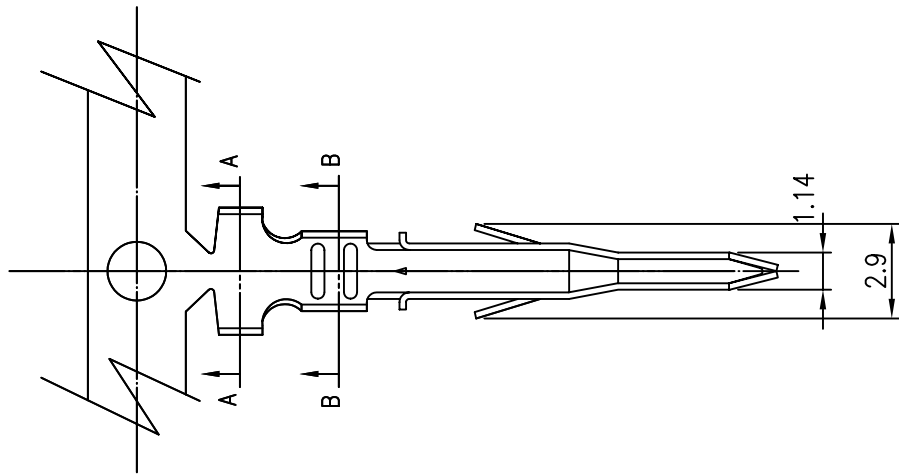
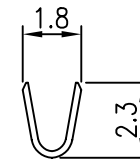
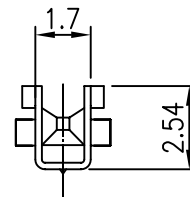
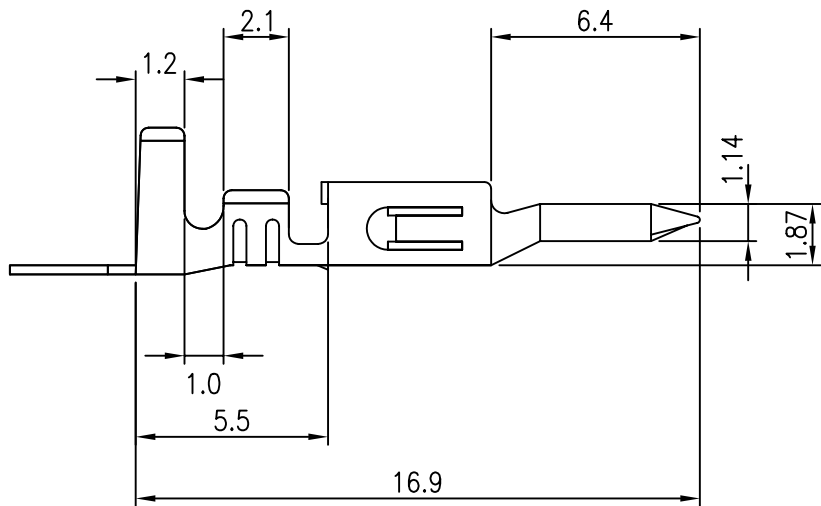


■ **TERMINAL**

Material: Brass
 Thickness: 0.2mm
 Plating: Tin plated 60u"
 Wire Range: Suitable for AWG#18~22
 Insulation O.D: 3.0mm(max)
 Q'TY: 5,000 pcs/roll



A-A SECTION



B-B SECTION

MORETHANALL
 CONNECTORS
 ASSEMBLIES

PART NO. MF-MT-18

DWG NO. MF-MT-18

APPROVED BY CY

TOLERANCES ARE

DESCRIPTION: 4.20mm Pitch Terminal

FILE NO.

DRAWING BY

.X
.XX
.XXX
AWG

AREA

REVISIONS

HK

DATE

煜倫股份有限公司

UNIT / mm

SCALE 1:1

PROJECTION

