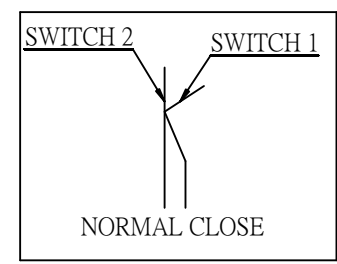
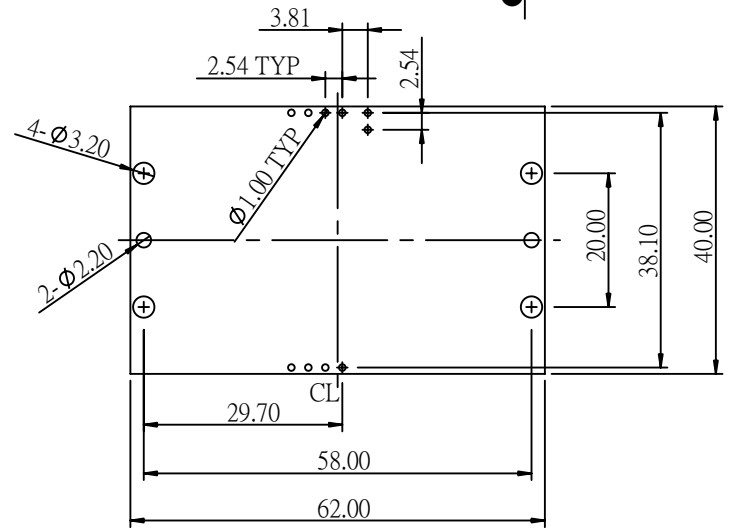
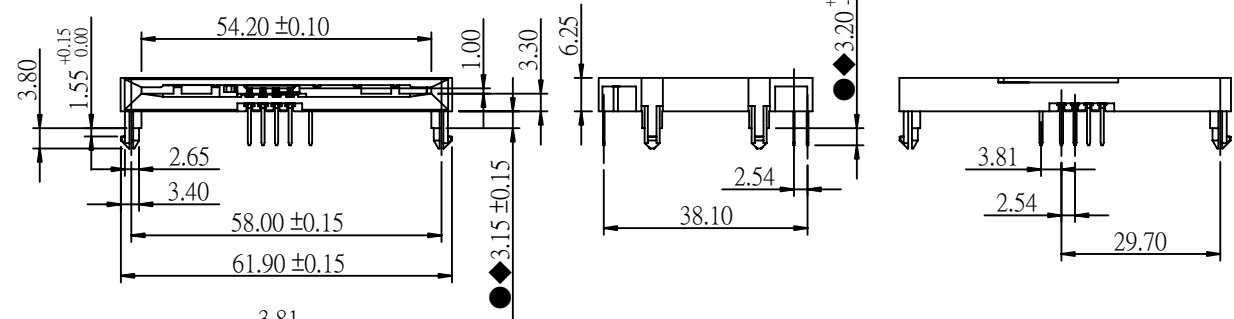


- NOTE:
- HOUSE MATERIAL: PBT+30%G.F 94L V-0 COLOR: BLACK.
  - TERMINAL MATERIAL: COPPER ALLOY, THICKNESS =  $0.30 \pm 0.02$ .  
FINISH: GOLD PLATE ON CONTACT AREA, TIN PLATE ON SOLDER TAIL, NICKEL ON ALL SURFACE
  - GROUND SPRING PIN: COPPER ALLOY, THICKNESS =  $0.25 \pm 0.02$ .  
FINISH: TIN OR GOLD PLATE ON ALL SURFACE, NICKEL ON ALL SURFACE.
  - GROUND PIN: COPPER ALLOY, THICKNESS =  $0.25 \pm 0.02$ mm.  
FINISH: TIN OR GOLD PLATE ON ALL SURFACE, NICKEL ON ALL SURFACE
  - OPERATING TEMPERATURE:  $-40^{\circ}\text{C} \sim +80^{\circ}\text{C}$ .
  - CURRENT RATING: 1 Amp MAX.
  - : MANUFACTURER INSPECTION.
  - ◆: Q.C INSPECTION.

SCFA-R64ACH-08-LF  
LEADFREE  
RoHS Compliant



**MORETHANALL**  
CONNECTORS  
ASSEMBLIES

PART NO. SCFA-R64ACH-08

DWG NO. SCFA-R64ACH-08

CHECKED BY CY

TOLERANCES ARE

DESCRIP TION:

FILE NO.

DRAWING BY

.X ± 0.2  
.XX ± 0.1  
.XXX ± 0.05  
AWG

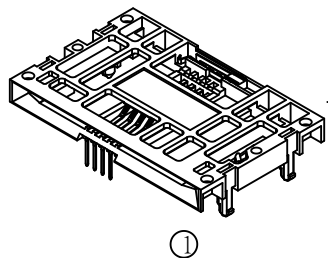
煜倫股份有限公司

UNIT / mm

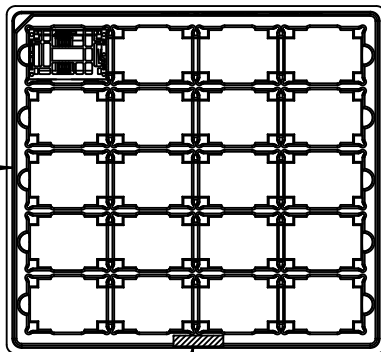
SCALE 1:1

PROJECTION

AREA	REVISIONS	HK	DATE
------	-----------	----	------



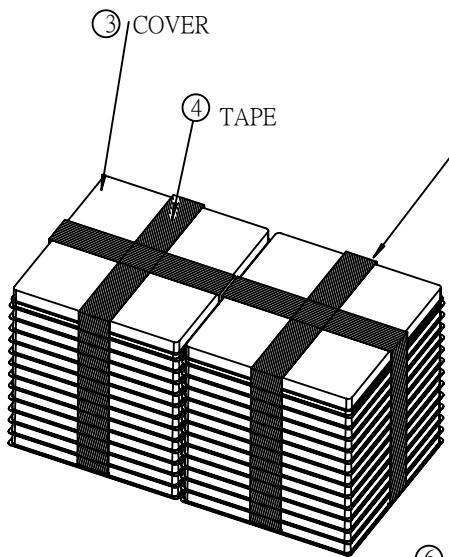
20PCS PRODUCTS/TRAY



② TRAY

	MATERIAL	P/N	REMARKS
1	PRODUCT	SCFA-R64ACH-08	520 PCS
2	TRAY	TRAY 078-019A	26 TRAY × 20PCS
3	COVER	TRAY 007-006A	2×(1 COVER+13TRAY)
4	TAPE		
5	POLY BAG	P-0001	1 POLY BAG/CARTON
6	CARTON	CTN-C100B	CARTON/26 TRAYS/520 PCS
7	LABEL(HSF Concraft level 1)	CTB-00002	1 LABEL/TRAY
8	LABEL(HSF Concraft level 1)	CTP-00002	1 LABEL/CARTON

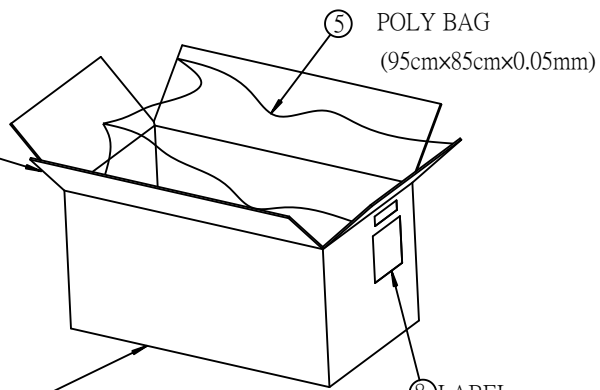
(4cm×1.6cm GREEN)  
⑦ LABEL(1PCS/TRAY)



③ COVER

④ TAPE

2X(13 TRAY+1 COVER)



⑤ POLY BAG  
(95cm×85cm×0.05mm)

⑥ CARTON  
(57.5cm×32cm×30.5cm)

⑧ LABEL  
(10cm×10cm GREEN)

**MORETHANALL**  
CONNECTORS  
ASSEMBLIES

煜倫股份有限公司

PART NO. SCFA-R64ACH-08

DWG NO. SCFA-R64ACH-08

FILE NO.

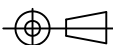
UNIT / mm

SCALE 1:1

CHECKED BY CY

DRAWING BY

PROJECTION



TOLERANCES ARE

.X ± 0.2

.XX ± 0.1

.XXX ± 0.05

AWG

DESCRIPTION:

AREA

REVISIONS

HK

DATE