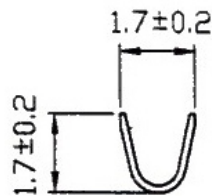
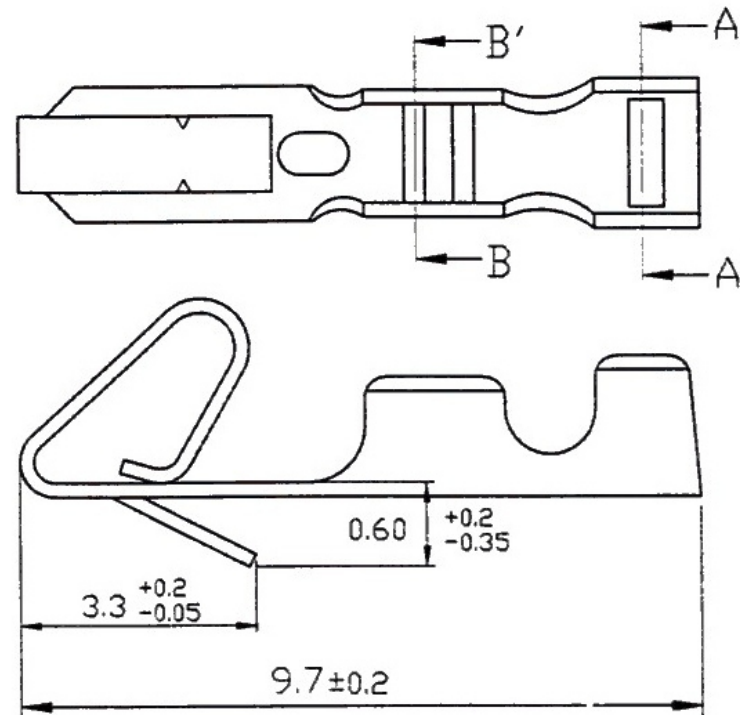
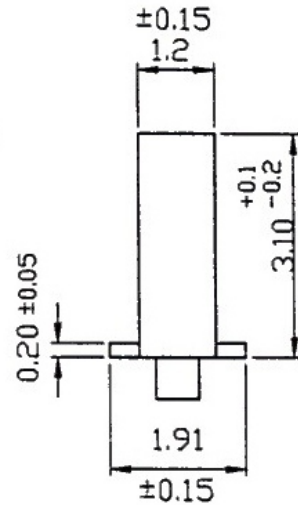


Section A-A'



Section B-B'



- * THICKNESS:0.2mm
- * CURRENT RATING: 3A AC,DC
- * VOLTAGE RATING: 250V AC,DC
- * APPLICABLE WIRE RANGE:AWG#22-28

RoHS Compliant

TOLERANCES ARE

MORETHANALL
PCB CONNECTORS
Cable ASSEMBLIES

煜倫股份有限公司

www.morethanall.com

DRAWING BY CY

CHECKED BY GENIUS

UNIT / mm

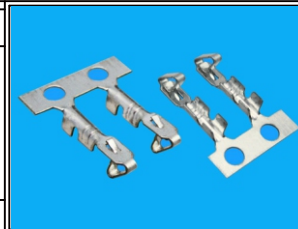
SCALE 1:1

DATE

SIZE A4

X, ±
.X ±
.XX ±
.XXX ±
ANG ±

PPOJECTION



ORDER INFORMATION

MK-TC-22-LF
SERIES | LEADFREE
22-28 AWG
CAT EAR
TERMINAL

DESCRIPTION: