

NOTES:

***Material**

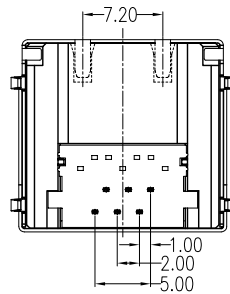
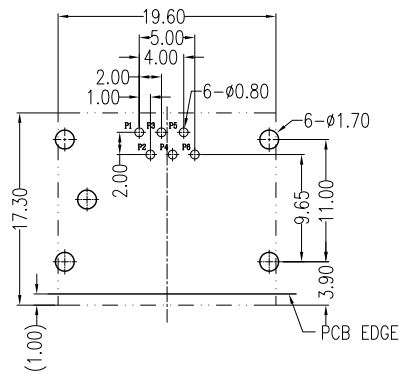
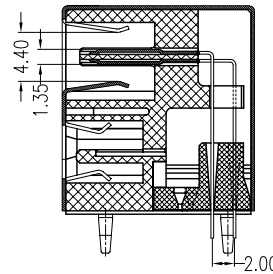
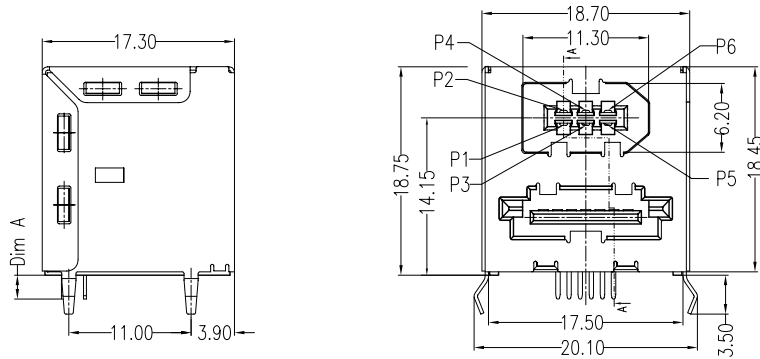
Housing : Nylon 46,UL 94-0 Rated
 Contact : Brass,Gold plating over Nickel on contact area; Tin Plating on Solder Tail.
 Shell(Outside): Brass, Nickel plating

***Electrical Specification**

Operation Voltage:40 VAC max.
 Current Rating: 1.5 Ampere per contact
 Contact Resistance: 30mOHM Max
 Insulation Resistance: 100M OHM MIN
 Dielectric Withstanding Voltage:500V AC.

***Environmental**

Operating Temperature : -55°c to +125°c.



Unit: mm

P/N	Dim"A"
1394ESA-ARRD-0607	2.15

P.C.B Layout t=1.60mm

RoHS Compliant

TOLERANCES ARE

MORETHANALL
 PCB CONNECTORS
 Cable ASSEMBLIES

DRAWING BY CY

X, ±

CHECKED BY GENIUS

.X ±

UNIT / mm

SCALE 1 : 1

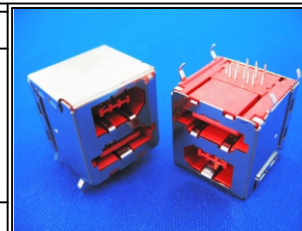
.XXX ±

DATE

ANG ±

SIZE A4

P PROJECTION



ORDER INFORMATION

1394ESA-ARRD-0607-LF

SERIES | LEADFREE
 | RED | 06 TO 07 WAY
 | 90°SMT |
 FEMALE TO MALE

煜倫股份有限公司

www.morethanall.com

DESCRIPTION: IEEE 1394 Add Tail Male CRT