

T:1.6 Dimensions of PC board holes  
Tolerance :  $\pm 0.05$ (Printed-top view)

6	HOUSING	1	PA9T	UL-94V0(BLACK)
5	SHUNT TERMINAL	1	C5191 t=0.2	Au PLATED
4	SHUNT TERMINAL	1	C5191 t=0.2	Au PLATED
3	RING SPRING	1	BeCu t=0.2	Au PLATED
2	TIP SPRING	1	BeCu t=0.2	Au PLATED
1	RING SPRING	1	BeCu t=0.2	Au PLATED
LTR	PART NAME	QTY	MATERIAL	REMARK

SCHEMATIC	SCHEMATIC	SCHEMATIC
EJ-W15-05C	EJ-W15-04C	EJ-W15-03

UNLESS OTHERWISE SPECIFIED, TOLERANCE ON DECIMAL:  $\pm 0.2$

R

RoHS Compliant

TOLERANCES ARE

**MORETHANALL**  
PCB CONNECTORS  
Cable ASSEMBLIES

DRAWING BY CY

X.  $\pm$

CHECKED BY GENIUS

.X  $\pm$

UNIT/ mm

SCALE 1:1

.XX  $\pm$

DATE

.XXX  $\pm$

ANG  $\pm$

煜倫股份有限公司

www.morethanall.com

SIZE A4

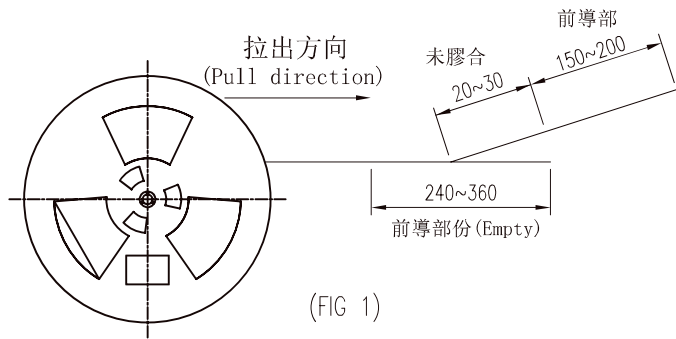
P PROJECTION



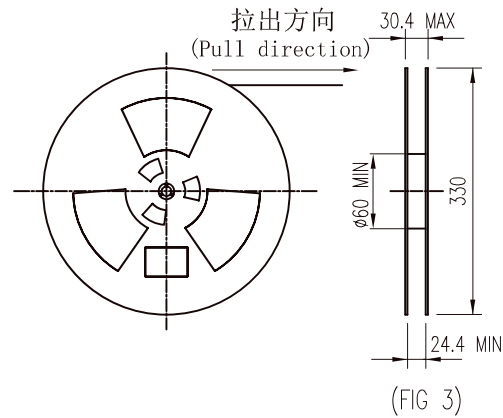
ORDER INFORMATION

EJ-W15R-xx-LF  
SERIES | REEL | LEADFREE SCHEMATIC  
POST 1.0+5.4mm  
90°SMT

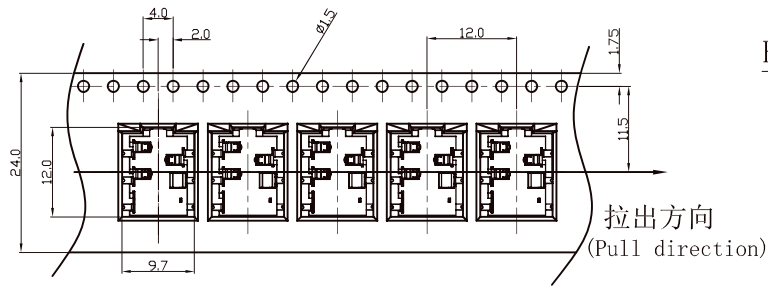
DESCRIPTION: MINIATURE JACK



(FIG 1)



(FIG 3)

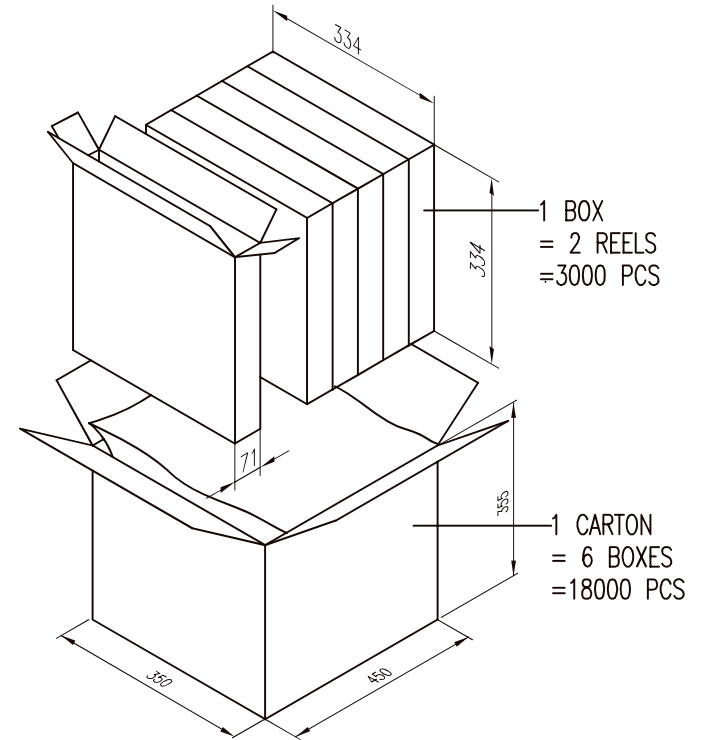


(FIG 2)

Reel外觀尺寸圖



1 REEL  
= 1500 PCS



REMARK:

- 1.The connector can not be loaded on the position of length 240~360mm in the reel tape and lead tape. The cover tape with 20~30mm length shall not be adhesive on the lead tape and the cover tape is lead portion shall have 150~200mm length (Refer FIG 1).
- 2.Tape shall turn on right direction.
- 3.The direction of connector is fixed regarding the position of terminal, please refer outline drawing (Refer FIG 2).
- 4.After winding, using the adhesive tape (30~50mm) to stick the leader of cover tape on the side of reel.
- 5.One reel can be loaded 1500 pcs connector.
- 6.The label shall be pasted on the front side of reel (Refer FIG 3).
- 7.Condition of 300mm per minute, the extraction strength of cover tape shall reach 20~150 gf.
- 8.If the quantity is less than 6 reel in one carton, the packing shall be able to resist to shark.

RoHS Compliant

TOLERANCES ARE

**MORETHANALL**  
PCB CONNECTORS  
Cable ASSEMBLIES

DRAWING BY CY

X. ±

CHECKED BY GENIUS

.X ±

UNIT / mm

SCALE 1 : 1

.XX ±

DATE

.XXX ±

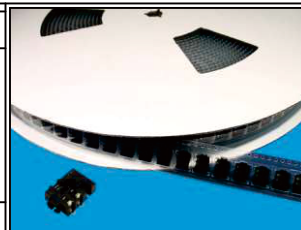
ANG ±

煜倫股份有限公司

www.morethanall.com

SIZE A4

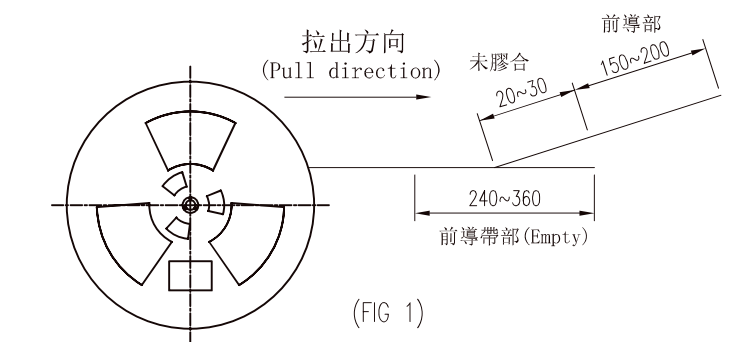
P PROJECTION



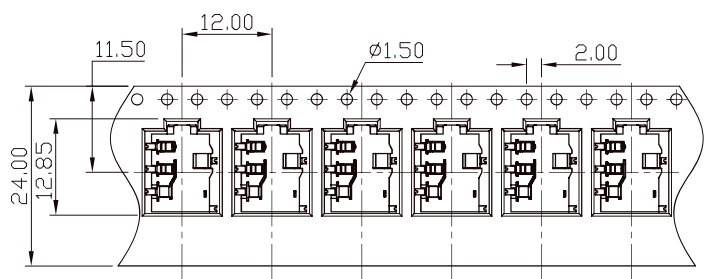
ORDER INFORMATION

EJ-W15R-03-LF  
SERIES | LEADFREE  
03 WAY  
REEL  
POST 1.0+5.4mm  
90°SMT

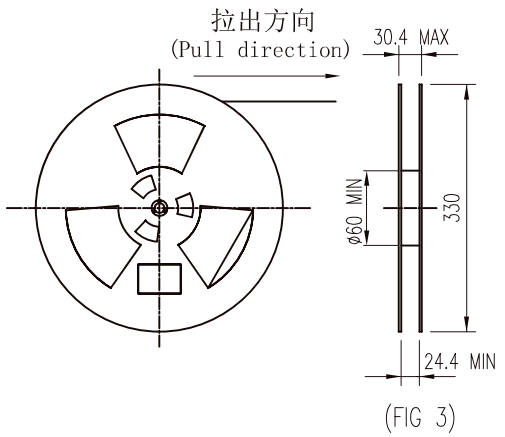
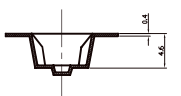
DESCRIPTION:



(FIG 1)

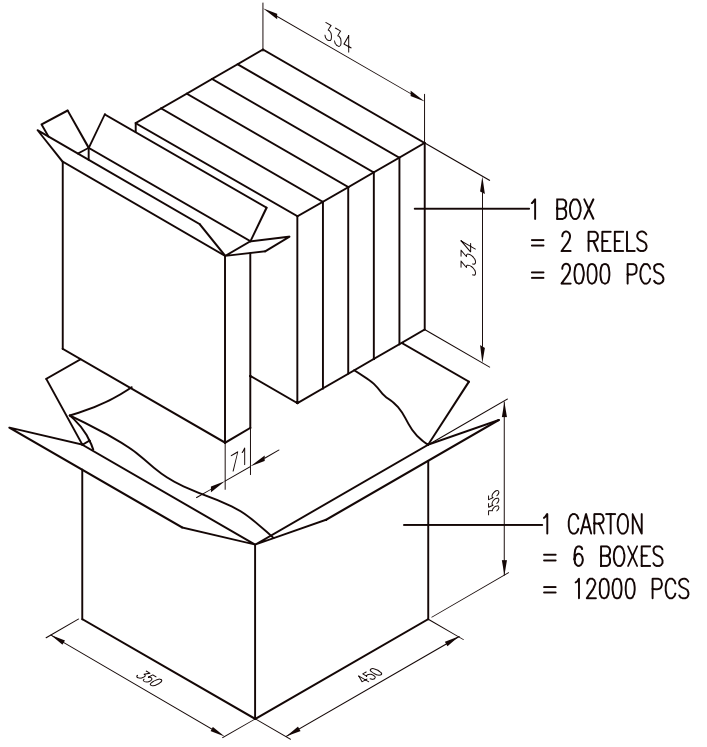
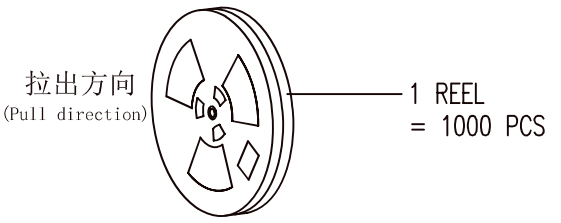


(FIG 2)



(FIG 3)

Reel外觀尺寸圖



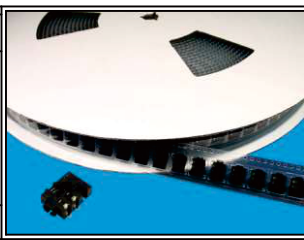
REMARK:

- The connector can not be loaded on the position of length 240~360mm in the reel tape and lead tape. The cover tape with 20~30mm length shall not be adhesive on the lead tape and the cover tape is lead portion shall have 150~200mm length (Refer FIG 1).
- Tape shall turn on right direction.
- The direction of connector is fixed regarding the position of terminal, please refer outline drawing (Refer FIG 2).
- After winding, using the adhesive tape (30~50mm) to stick the leader of cover tape on the side of reel.
- One reel can be loaded 1000 pcs connector.
- The label shall be pasted on the front side of reel (Refer FIG 3).
- Condition of 300mm per minute, the extraction strength of cover tape shall reach 20~150 gf.
- If the quantity is less than 6 reel in one carton, the packing shall be able to resist to shark.

RoHS Compliant

**MORETHANALL**  
PCB CONNECTORS  
Cable ASSEMBLIES  
煜倫股份有限公司  
www.morethanall.com

DRAWING BY CY		TOLERANCES ARE X ± .X ± .XX ± .XXX ± ANG ±
CHECKED BY GENIUS		
UNIT / mm	SCALE 1 : 1	
DATE		
SIZE A4	P PROJECTION	



ORDER INFORMATION

EJ-W15R-05C-LF  
SERIES REEL LEADFREE  
5P3C  
POST 1.0+5.4mm  
90°SMT

DESCRIPTION: