

PCB LAYOUT COMPONENT SIDE

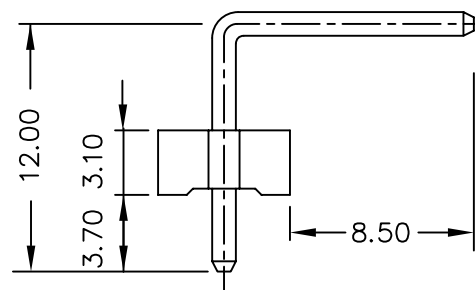
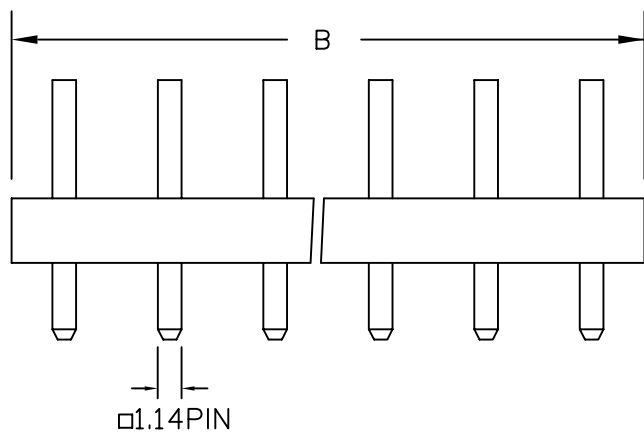
## SPECIFICATIONS

### Electrical

Current Rating: 7A AC, DC  
 Voltage Rating: 250V AC, DC  
 Operating Temp.: -25°C ~ +85°C  
 Insulation Resistance: 1000MΩ/ min.  
 Dielectric Withstanding Voltage: 1500V AC/ min.  
 Contact Resistance: 10mΩ/ max.

### Material

Material: Nylon66, UL94V-2



Poles	Dimension mm (in.)		Part No.	Note.
	A	B		
2	5.08	10.30	LKX-R-02	
3	10.16	15.40	LKX-R-03	
4	15.24	20.50	LKX-R-04	
5	20.32	25.60	LKX-R-05	
6	25.40	30.70	LKX-R-06	
7	30.48	35.80	LKX-R-07	
8	35.56	41.00	LKX-R-08	
9	40.64	46.10	LKX-R-09	
10	45.72	51.20	LKX-R-10	
11	50.80	56.30	LKX-R-11	
12	55.88	61.40	LKX-R-12	

**MORETHANALL**  
CONNECTORS  
ASSEMBLIES

PART NO. LKX-R-xx

DWG NO. LKX-R-xx

APPROVED BY CY

TOLERANCES ARE

DESCRIP TION:

5.08mm Wire-to-Board Header  
Dip 90° Type

FILE NO.

DRAWING BY

X. ± 0.5  
XX. ± 0.1  
XXX.  
AWG

AREA

REVISIONS

HK

DATE

煜倫股份有限公司

UNIT / mm

SCALE 1:1

PROJECTION

