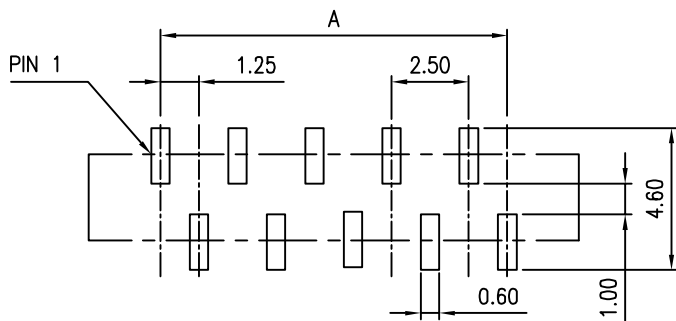


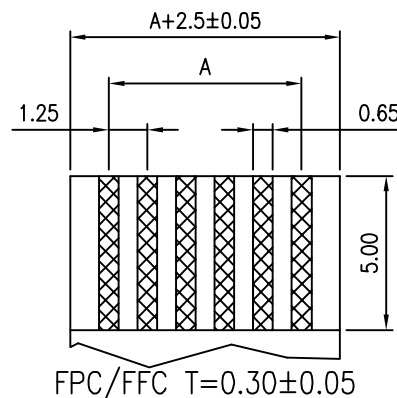
FPB-VL2R-xx-LF
LEADFREE

RoHS Compliant



TOLERANCE: ±0.05

RECOMMENDED PCB LAYOUT



FPC/FFC T=0.30±0.05

■ MATERIAL

INSULATOR: GLASS-REINFORCED THERMOPLASTIC.
CONTACT: COPPER ALLOY.
PLATING: ALL TIN, LEAD FREE.

■ ELECTRICAL

CURRENT RATING: 0.5 AMP.
DIELECTRIC WITHSTANDING VOLTAGE: 500 VAC MIN.
INSULATION RESISTANCE: 1000 MEGAOHMS MIN.
CONTACT RESISTANCE: 30 MILLIOHMS MAX.

■ ENVIRONMENTAL

TEMPERATURE RANGE: -55°C TO +85°C.

■ DIMENSION TABLE

Circuits	Dimension				Circuits	Dimension			
	A	B	C	L		A	B	C	L
3	2.50	5.05	7.15	4	17	20.00	22.55	24.65	12
4	3.75	6.30	8.40		18	21.25	23.80	25.90	
5	5.00	7.55	9.65		19	22.50	25.05	27.15	
6	6.25	8.80	10.90	8	20	23.75	26.30	28.40	
7	7.50	10.05	12.15		21	25.00	27.55	29.65	
8	8.75	11.30	13.40		22	26.25	28.80	30.90	
9	10.00	12.55	14.65	12	23	27.50	30.05	32.15	
10	11.25	13.80	15.90		24	28.75	31.30	33.40	
11	12.50	15.05	17.15		25	30.00	32.55	34.65	
12	13.75	16.30	18.40	12	26	31.25	33.80	35.90	
13	15.00	17.55	19.65		27	32.50	35.05	37.15	
14	16.25	18.80	20.90		28	33.75	36.30	38.40	
15	17.50	20.05	22.15	12	29	35.00	37.55	39.65	
16	18.75	21.30	23.40		30	36.25	38.80	40.90	

MORETHANALL
CONNECTORS
ASSEMBLIES

煜倫股份有限公司

PART NO. FPB-VL2R-xx

DWG NO. FPB-VL2R-xx

FILE NO.

UNIT / mm

SCALE 1:1

CHECKED BY CY

DRAWING BY

PROJECTION

TOLERANCES ARE

.X ± 0.2
.XX ± 0.1
.XXX ±
AWG

DESCRIPTION:

FPC/FFC 1.25 PITCH NON ZIF TOP ENTRY DUAL CONTACT
SMT TYPE - SPECIAL PCB LAYOUT

AREA

REVISIONS

HK

DATE