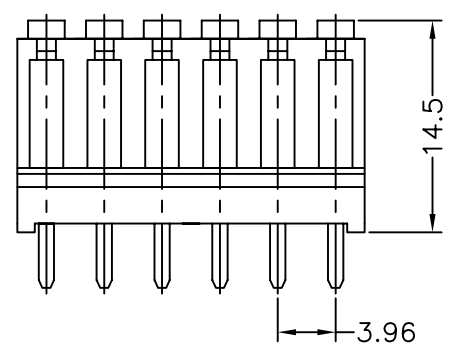
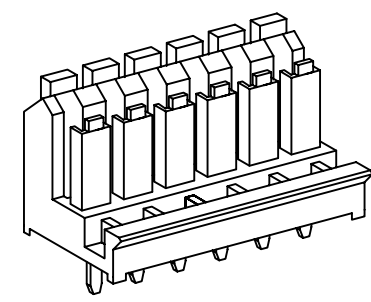
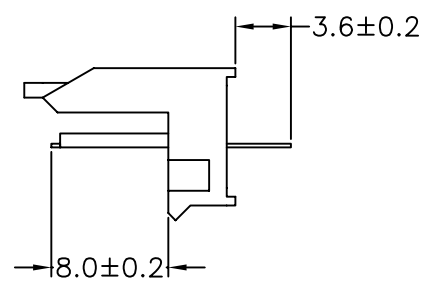
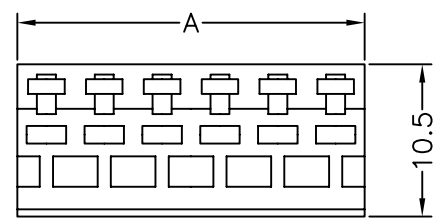


MATERIAL: NYLON 66.UL94V-2  
 BRASS PIN  
 CURRENT RATING: 7A AC,DC  
 VOLTAGE RATING: 250V AC,DC  
 TEMPERATURE RANGE: -25°C~+85°C  
 INSULATION RESISTANCE: 1,000M OHM min.  
 WITHSTAND VOLTAGE: 1500V AC/minute



CIRCUITS	PART NO	DIMENTION-A
6	PB-D-06	23.8±0.10
12	PB-D-12	47.5±0.20

PB-D-xx-LF  
 LEADFREE

RoHS Compliant



PART NO. PB-D-xx	
DWG NO. PB-D-xx	
FILE NO.	
UNIT / mm	SCALE 1:1

APPROVED BY CY	DRAWING BY
DRAWING BY	
PROJECTION	

TOLERANCES ARE
.X
.XX
.XXX
AWG

DESCRIPTION:	3.96mm POWER BASE 6P & 12P			
AREA	REVISIONS	HK	DATE	

煜倫股份有限公司