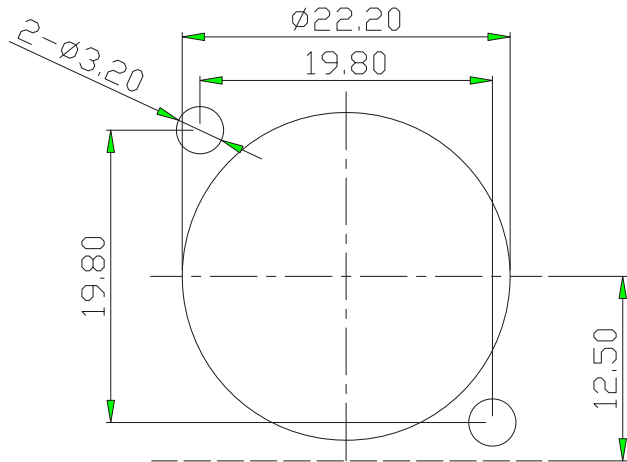
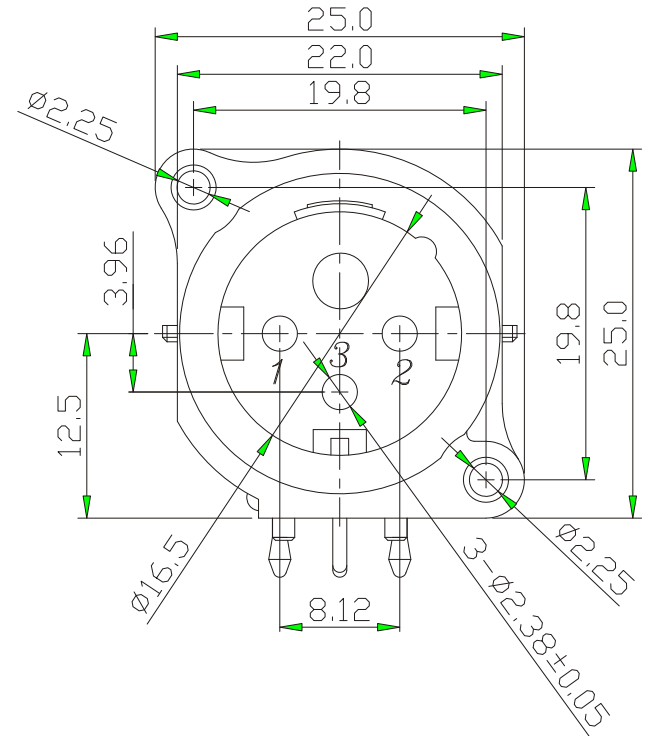
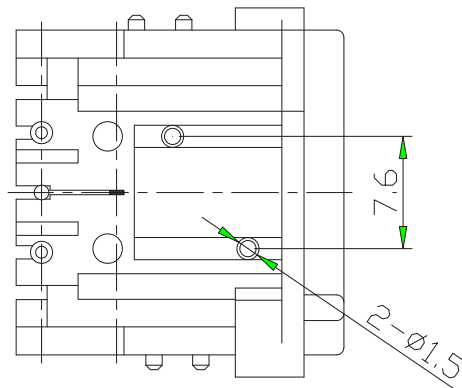
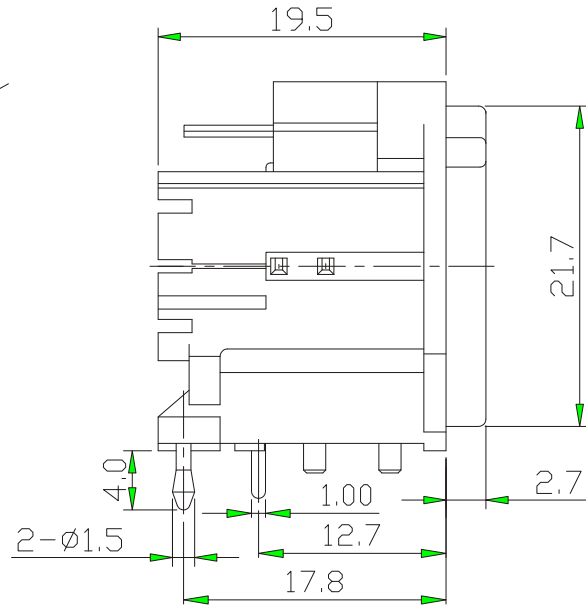


P.C.B. LAYOUT(±0.1)  
(BOTTOM VIEW)



PANEL CUT OUT  
(FRONT SIDE)



4	SLEEVE	1	P. B. S	Ag
3	PIN	3	BRASS	Au
2	LATCH LOCK	1	SK7	Ni
1	BODY	1	NYLON	BLACK
NO	PART NAME	Q' TY	MATERIAL	PLATING & COLOR

RoHS Compliant

TOLERANCES ARE

**MORETHANALL**  
PCB CONNECTORS  
Cable ASSEMBLIES

DRAWING BY CY

X.±

CHECKED BY GENIUS

.X±

UNIT / mm

SCALE 1:1

.XXX±

DATE

ANG±

SIZE A4

P PROJECTION



ORDER INFORMATION

MIC-PR-03-LF  
SERIES | LEADFREE  
03 WAY  
DIP 90°  
MALE

煜倫股份有限公司

www.morethanall.com

DESCRIPTION: