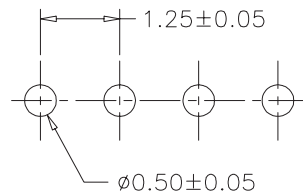
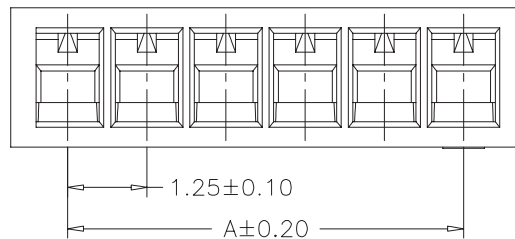


### SPECIFICATIONS

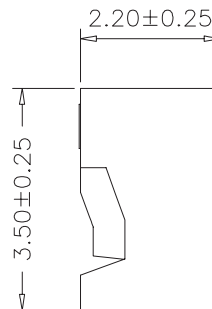
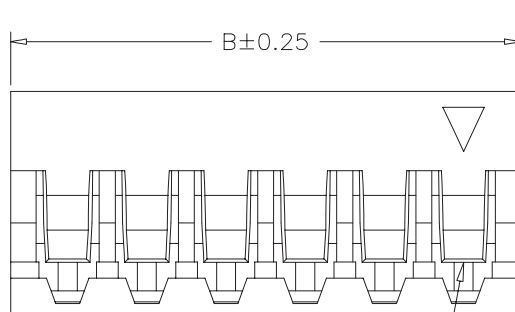
Current Rating: 1A AC,DC  
 Voltage Rating: 125V AC,DC  
 Temperature Range: -25°C ~ +85°C  
 Contact Resistance: 20mΩ Max.  
 Insulation Resistance: 100MΩ Min.  
 Withstanding Voltage: 500V AC/minute  
 Material: Nylon 66,UL94V-0  
 Color: Natural(White)

### Ordering Information & Dimensions

PART NO.	Dimensions	
	A	B
FN-H-02	1.25	3.05
FN-H-03	2.50	4.30
FN-H-04	3.75	5.55
FN-H-05	5.00	6.80
FN-H-06	6.25	8.05
FN-H-07	7.50	9.30
FN-H-08	8.75	10.55
FN-H-09	10.00	11.80
FN-H-10	11.25	13.05
FN-H-11	12.50	14.30
FN-H-12	13.75	15.55
FN-H-13	15.00	16.80
FN-H-14	16.25	18.05
FN-H-15	17.50	19.30



SUGGESTED PCB LAYOUT  
(COMPONENT SIDE)



Circuit 1

**RoHS Compliant**

TOLERANCES ARE

**MORETHANALL**  
PCB CONNECTORS  
Cable ASSEMBLIES

DRAWING BY CY

CHECKED BY GENIUS

UNIT/mm

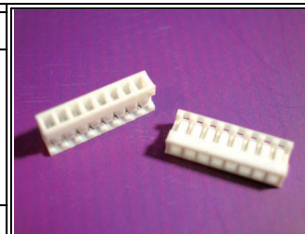
SCALE 1:1

DATE

SIZE A4

PJECTION

X. ±  
 .X ±  
 .XX ±  
 .XXX ±  
 ANG ±



### ORDER INFORMATION



DESCRIPTION: 1.25mm 180° Housing Board-in connectors

煜倫股份有限公司

www.morethanall.com