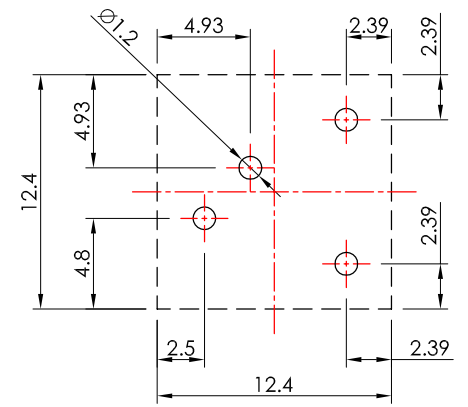
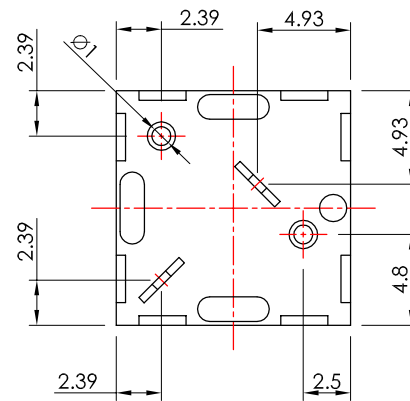
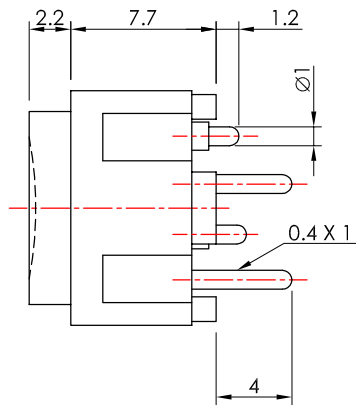
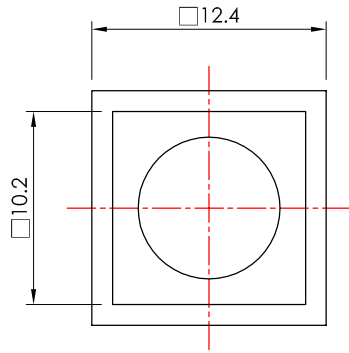


P.C.B. HOLE DETAIL



SPECIFICATION

Circuit: OFF-(ON).
Rating: 1A 125V AC.
Contact resistance: ≤30mΩ.(initial)
Insulation resistance: ≥100MΩ 500V DC.(initial)
Withstand voltage: 500V AC 1 minute.(initial)
Life: 40,000 Cycles.
Operating force: 250±50g.
Minimum load: 100mA 10V DC.(reference only)
Soldering temperature: 250°C Max for 3 Sec.
Soldering time: 1 time only.

MATERIAL

Actuator: ABS PA-777B.
Case: PBT+30%GF.
Movable contact: Beryllium copper, gold plated.
Stationary contact & terminal: Copper, gold plated.

PB1212-DPxx-02-LF

LEADFREE

BUTTON COLOR	
RD	Red
BL	Blue
BK	Black
YL	Yellow
OR	Orange
GE	Gray
GR	Green
WH	White

RoHS Compliant



PART NO. PB1212-DPxx-02

DWG NO. PB1212-DPxx-02

CHECKED BY CY

TOLERANCES ARE

.X ± 0.2
 .XX ± 0.1
 .XXX ±
 AWG

DESCRIPTION:

煜倫股份有限公司

FILE NO.

DRAWING BY

UNIT / mm

SCALE 1:1

PROJECTION



AREA

REVISIONS

HK

DATE