

StandOFF	A	B
0	0.1mm	2.9mm
1	1.3mm	4.1mm
2	2.1mm	4.9mm

SPECIFICATION

MATERIAL

Insulator: High Temp. Thermoplastic UL94V-0(9T)(GW250B)

Contacts: PhosPhor Bronze

Shell: Bronze (Underplate Nickel)

CONTACT PLATING

Underplate: 50u" Nickel

Contact area: 1u"~30u" Selective gold

Solder tails area: 100u" Tin/Lead(see contact area plating A,C,D)

Solder tails area: 100u" Tin/Lead Free(see contact area plating 4,6,7)

ELECTRICAL

Operation voltage: 100 VAC max.

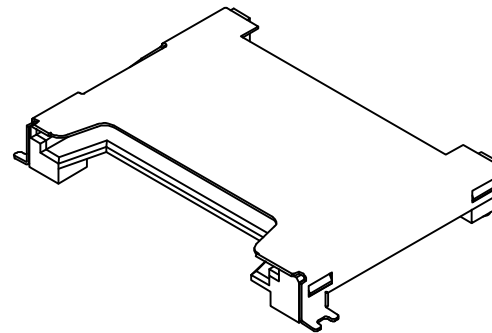
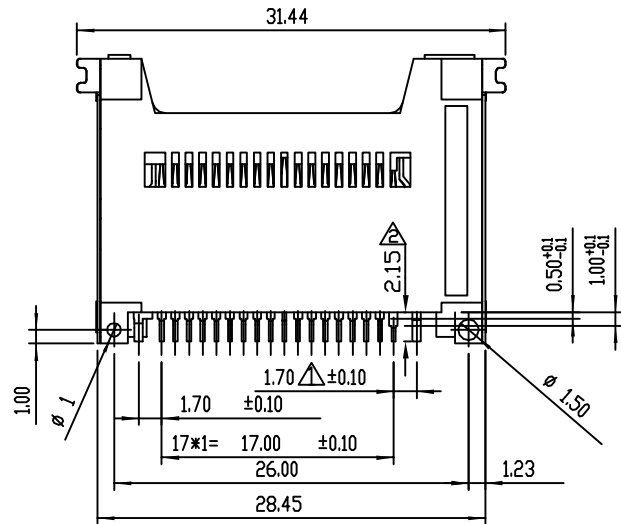
Current rating: 0.5 Amps max.

Contact resistance: 20 mohms max.

Insulation resistance: 1000 Mohms min @ 500 VDC

Dielectric withstanding voltage: 1000 VAC / minute

Operating temperature: -5°C TO +65°C



RoHS Compliant

TOLERANCES ARE



煜倫股份有限公司

www.morethanall.com

DRAWING BY CY

CHECKED BY GENIUS

UNIT / mm SCALE 1 : 1

DATE

SIZE A4

X. ±

.X ±

.XX ±

.XXX ±

ANG ±

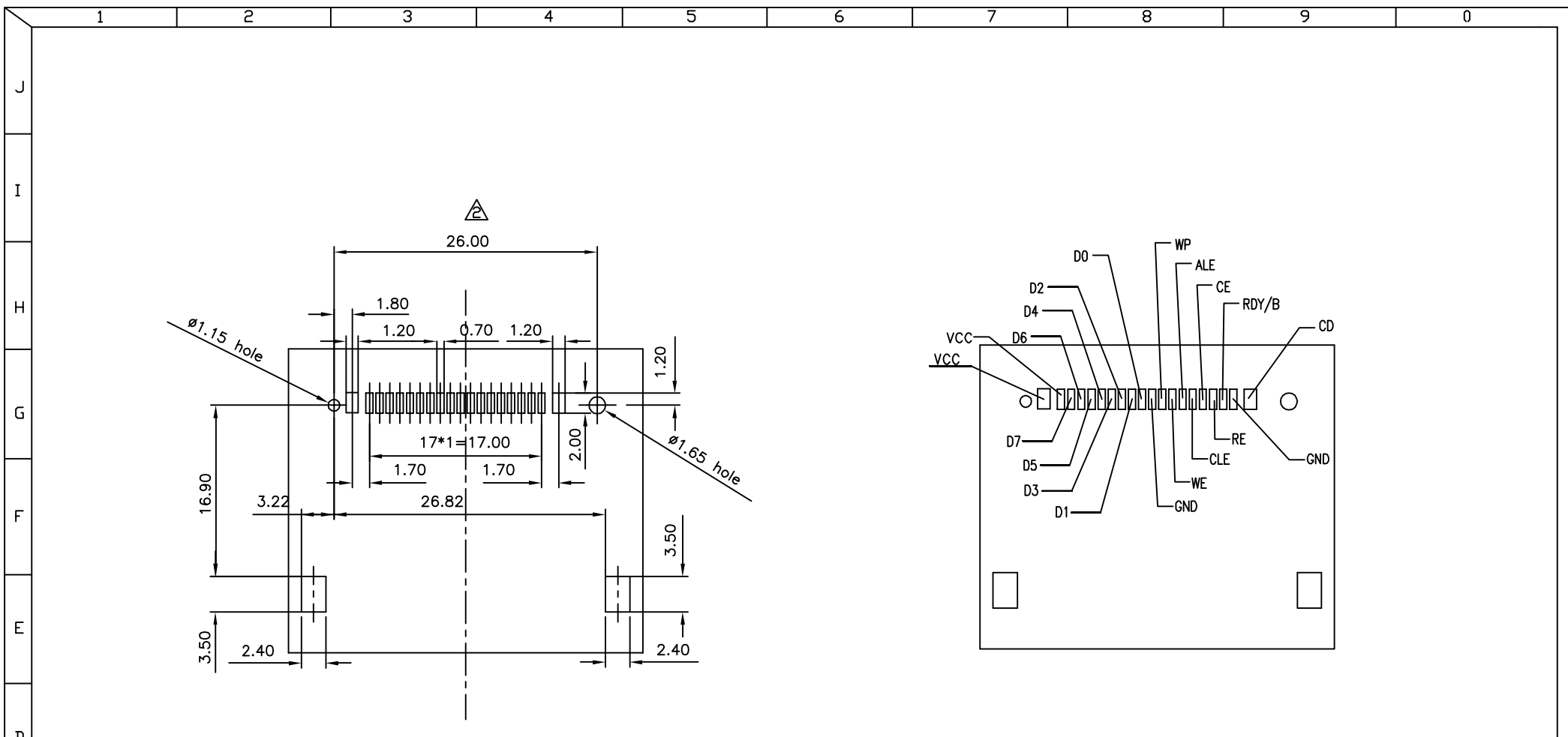
PPOJECTION



ORDER INFORMATION

SMC-W26X-20-LF
 SERIES | | | LEADFREE
 | | | 20 WAY
 | | | NON PUSH
 | | | POST TO POST 26.0mm
 90°SMT

DESCRIPTION: XDC CONNECTOR - SMT MOUNT



RECOMMENDED P.C.B LAYOUT
TOLERANCE 0.05

B			PART NO. XDC-W26X-20		TOLERANCES ARE .X ± 0.30 .XX ± .XXX ± AWG	DESCRIPTION: XDC CONNECTOR - SMT MOUNT			
			DWG NO. XDC-W26X-20			CHECKED BY CY	AREA	REVISIONS	HK
A	FILE NO.		DRAWING BY		PROJECTION				
	UNIT / mm	SCALE 1:1							