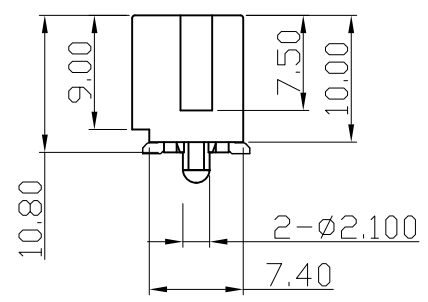
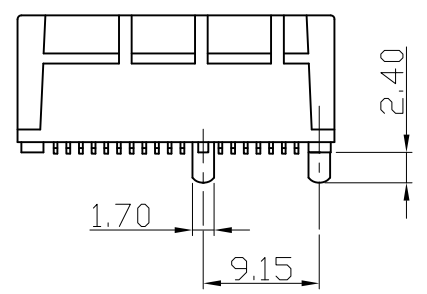
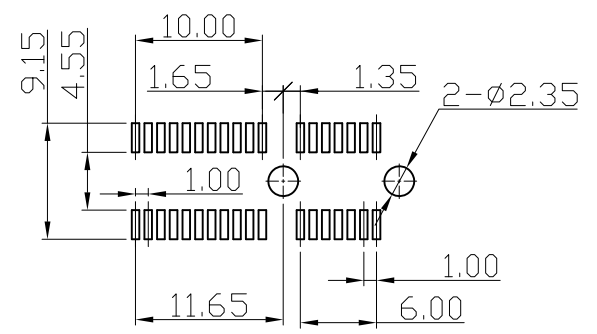


NOTE:
 MATERIAL:
 HOUSING: NY46+GF
 CONTACT: BRASS
 PLATING:
 CONTACT: GOLD PLATING
 SPECIFICATION:
 VOLTAGE RATING: 50V
 CURRENT RATING: 1.1A
 CONTACT RESISTANCE TERMINAL: 20mΩ MAX
 DIELECTRIC WITHSTANDING VOLTAGE: 500V AC
 INSULATION RESISTANCE: 1000MΩ MIN



PCIX-VP-036-LF
 LEADFREE
 RoHS Compliant



RECOMMENDED PCB LAYOUT



PART NO. PCIX-VP-036		CHECKED BY CY		TOLERANCES ARE .X ± 0.2 .XX ± .XXX ± AWG	DESCRIP TION: PCI 36PIN SMT 無耳扣			
DWG NO. PCIX-VP-036		DRAWING BY			AREA	REVISIONS	HK	DATE
FILE NO.		PROJECTION						
UNIT / mm	SCALE 1:1							

焯倫股份有限公司