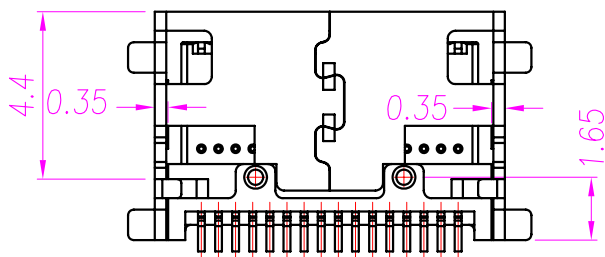
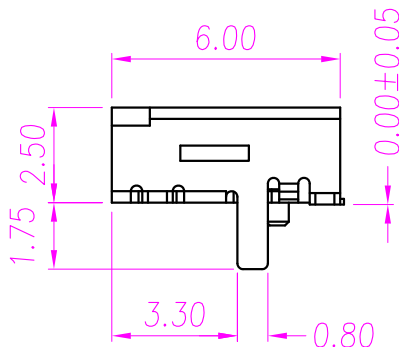
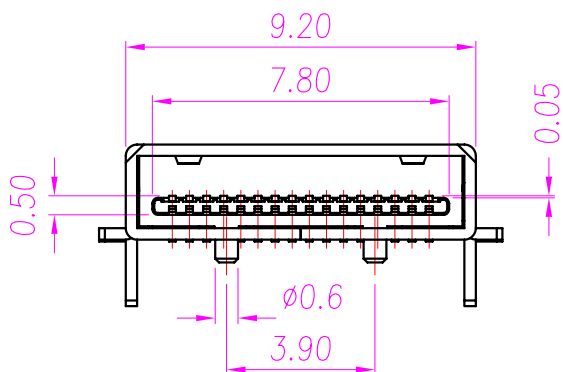


RECOMMEND PCB LAYOUT ± 0.05



NOTE:

1.ELECTRICAL PROPERTIES:

- 1-1.RATING:DC 30V/1A.
- 1-2.CONTACT RESISTANCE:30m Ohm MAX
- 1-3.INSULATION RESISTANCE:500M Ohm MIN AT DC100V.
- 1-4.DIELECTRIC WITHSTANDING VOLTAGE:AC 250V/1 MINUTE.

2.MATERIAL:

- 2-1.PIN:PHOSPHOR BRONZE(C5191R).
- 2-2.HOUSING: LCP(E480i).
- 2-3.SHELL:PHOSPHOR BRONZE(C5210R).

3.PLATING:

- 3-1.PIN: GOLD 10u" MIN ON CONTACT AREA,
SHINE TIN 80u" MIN ON SOLDER TAILS,
UNDERPLATED NICKEL OVER ALL 50u" MIN.
- 3-2.SHELL: GOLD FLASH/ NICKEL OVER ALL 50u" MIN.

MSB-SW-16-LF
LEADFREE

RoHS Compliant

MORETHANALL
CONNECTORS
ASSEMBLIES

PART NO. MSB-SW-16

DWG NO. MSB-SW-16

FILE NO.

CHECKED BY CY

DRAWING BY

TOLERANCES ARE

.X ± 0.2
.XX \pm
.XXX \pm
AWG

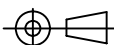
DESCRIPTION: MINI USB 16PIN(F) SOCKET

煜倫股份有限公司

UNIT / mm

SCALE 1:1

PROJECTION



AREA

REVISIONS

HK

DATE