

RECOMMENDED P.C.B LAYOUT

SPECIFICATIONS

CURRENT RATING: 3 AMP
 INSULATION RESISTANCE: 1000M OHMS MIN.
 DIELECTRIC WITHSTANDING: 600V AC/DC
 CONTACT RESISTANCE: 20m OHMS MAX.
 OPERATING TEMPERATURE: -40°C ~ +105°C

MATERIALS

CONTACT MATERIAL: PHOSPHOR BRONZE
 INSULATION MATERIAL: POLYESTER, UL 94V-0
 NYLON 6T

RoHS Compliant

MORETHANALL
 PCB CONNECTORS
 Cable ASSEMBLIES

煜倫股份有限公司

www.morethanall.com

DRAWING BY CY

CHECKED BY GENIUS

UNIT/mm SCALE 1:1

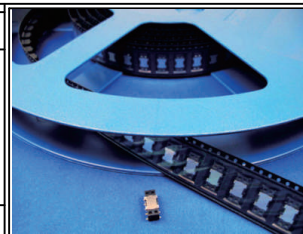
DATE

SIZE A4

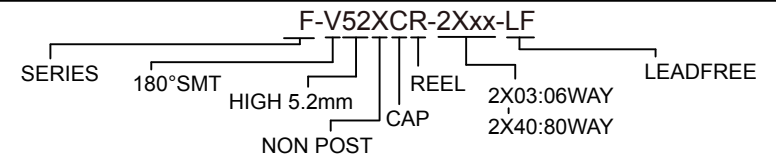
TOLERANCES ARE

X. ±
 .X ±
 .XX ±
 .XXX ±
 ANG ±

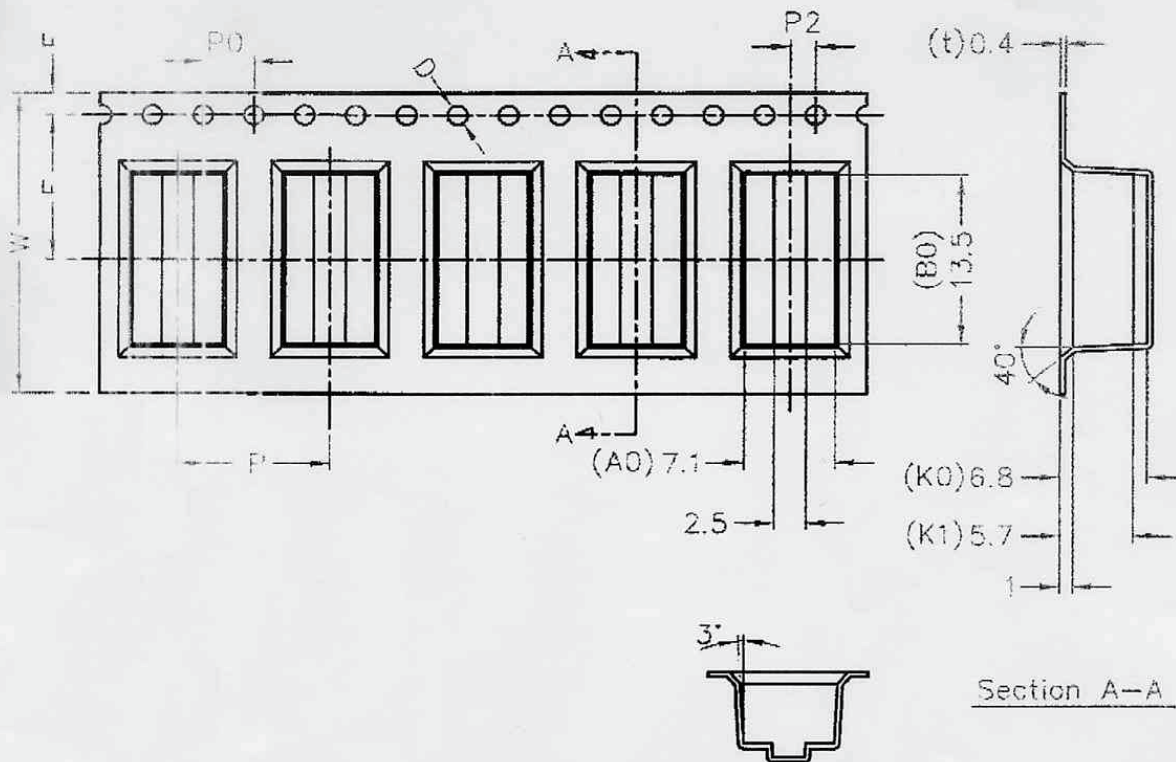
PJECTION



ORDER INFORMATION



DESCRIPTION: 2.54mm Female Socket Dual Row SMD type (H=5.2)



1. 1.10 sprocket hole pitch cumulative tolerance $\pm 0.20\text{mm}$.
2. Carrier camber not to exceed 1mm in 100mm.
3. A_0 and B_0 measured on a plane 0.3mm above the bottom of the pocket.
4. K_0 measured from a plane on the inside bottom of the pocket to the top surface of the carrier.
5. All dimensions meet EIA-481 requirements.
6. Material: Black Anti-static Polystyrene.
7. Thickness: 0.40 ± 0.05 mm.
8. Packing length per 22" reel : 32 Meters.
9. Component loaded per 13" reel : 800 pcs. (Core 4")

ITEM	W	A_0	B_0	K_0	K_1	P	F	E	D	D_1	P_0	P_2
DIM	24.0 ^{+0.20} _{-0.20}	7.10 ^{+0.20} _{-0.10}	13.5 ^{+0.20} _{-0.10}	6.80 ^{+0.20} _{-0.10}	5.70 ^{+0.20} _{-0.10}	12.0 ^{+0.10} _{-0.10}	11.50 ^{+0.10} _{-0.10}	1.75 ^{+0.10} _{-0.10}	1.50 ^{+0.10} _{-0.00}	0.00 ^{+0.25} _{-0.00}	4.00 ^{+0.10} _{-0.10}	2.00 ^{+0.10} _{-0.10}
ALTERNATE						問題者明: (Note:)						
客6確認: Customer Approved	確認日期: Date:											

MORETHANALL
PCB CONNECTORS
Cable ASSEMBLIES

煜倫股份有限公司

www.morethanall.com

RoHS Compliant

DRAWING BY CY

CHECKED BY GENIUS

UNIT/mm SCALE 1:1

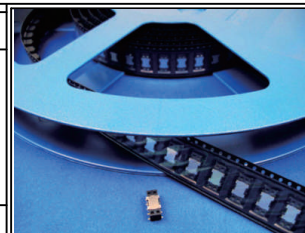
DATE

SIZE A4

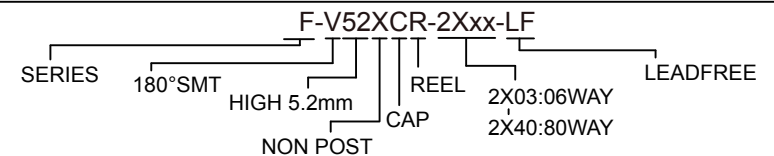
TOLERANCES ARE

X. \pm
.X \pm
.XX \pm
.XXX \pm
ANG \pm

PJECTION



ORDER INFORMATION



DESCRIPTION: