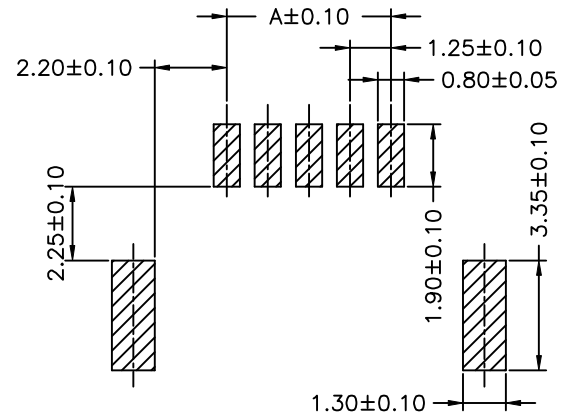
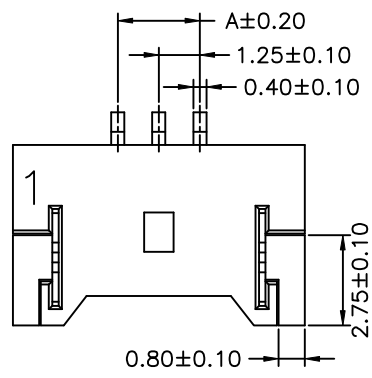


**PNM-WG-xx-LF**  
**LEADFREE**  
**BLANK:TIN PLATED**  
**G:GOLD PLATED**

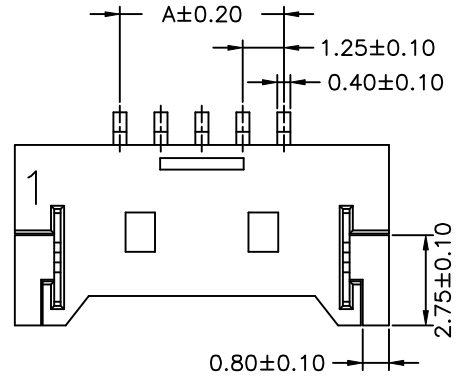
**RoHS Compliant**



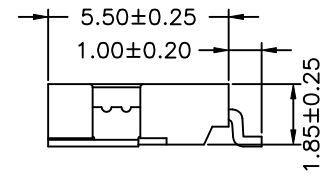
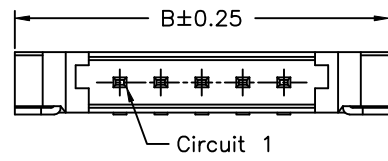
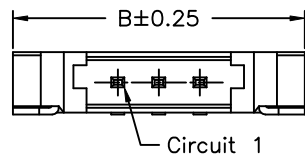
**P.C.B. LAYOUT**



**2P, 3P**



**4P以上**



**SPECIFICATIONS**  
 Current Rating: 1A AC,DC  
 Voltage Rating: 100V AC,DC  
 Temperature Range: -25°C ~ +85°C  
 Contact Resistance: 20mΩ Max.  
 Insulation Resistance: 500MΩ Min.  
 Withstanding Voltage: 500V AC/minute  
 Pin Material: Brass/Tin-plated on solder area,  
 Gold-flash on contact area  
 Solder Tabs: Brass/Tin-plated  
 Material: Nylon 6T,UL94V-0

**Ordering Information & Dimensions**

PART NO.	Dimensions	
	A	B
<b>PNM-W-02</b>	1.25	7.65
<b>PNM-W-03</b>	2.50	8.90
<b>PNM-W-04</b>	3.75	10.15
<b>PNM-W-05</b>	5.00	11.40
<b>PNM-W-06</b>	6.25	12.65
<b>PNM-W-07</b>	7.50	13.90
<b>PNM-W-08</b>	8.75	15.15
<b>PNM-W-09</b>	10.00	16.40
<b>PNM-W-10</b>	11.25	17.65
<b>PNM-W-11</b>	12.50	18.90
<b>PNM-W-12</b>	13.75	20.15
<b>PNM-W-13</b>	16.25	22.65
<b>PNM-W-14</b>	17.50	23.90
<b>PNM-W-15</b>	23.75	30.15
<b>PNM-W-16</b>	36.25	42.65



PART NO. **PNM-W-xx**

DWG NO. **PNM-W-xx**

FILE NO.

UNIT / mm

SCALE 1:1

CHECKED BY CY

DRAWING BY

PROJECTION

TOLERANCES ARE

.X ± 0.2  
 .XX ±  
 .XXX ±  
 AWG

DESCRIPTION:

AREA

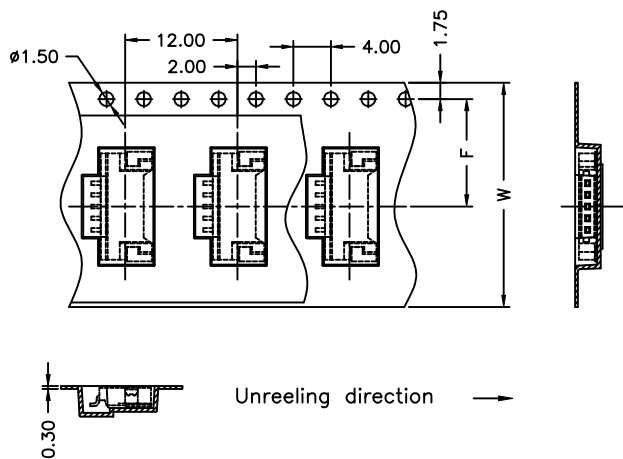
REVISIONS

HK

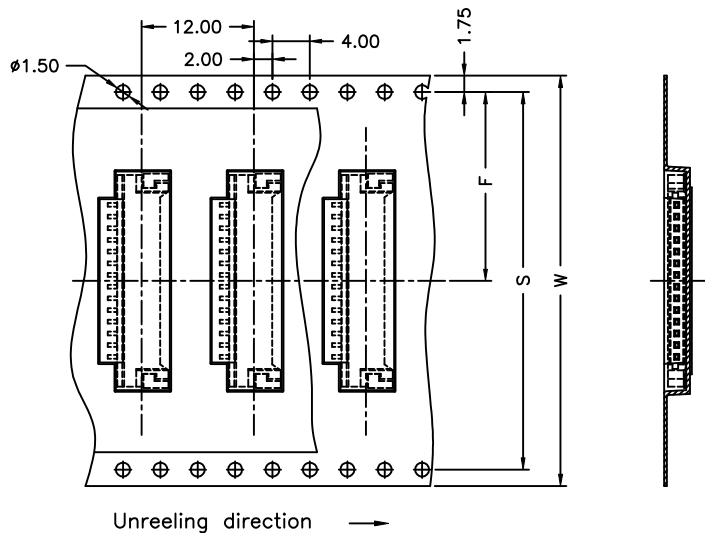
DATE

**煜倫股份有限公司**

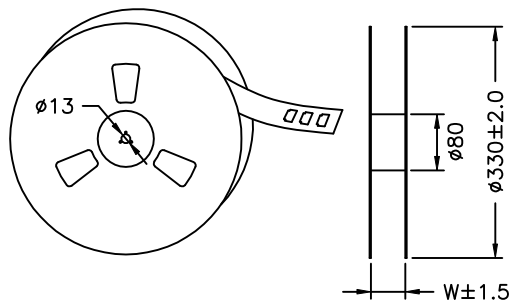
2~9 Contacts



10~30 Contacts



Number of Contacts	W±0.3	F±0.15	S±0.1	Q'ty/Reel
2P	16	7.5	---	1,000
3P	24	11.5	---	1,000
4P	24	11.5	---	1,000
5P	24	11.5	---	1,000
6P	24	11.5	---	1,000
7P	24	11.5	---	1,000
8P	24	11.5	---	1,000
9P	24	11.5	---	1,000
10P	32	14.2	28.40	1,000
11P	32	14.2	28.40	1,000
12P	32	14.2	28.40	1,000
13P	32	14.2	28.40	1,000
14P	44	20.2	40.40	1,000
15P	44	20.2	40.40	1,000
20P	44	20.2	40.40	1,000
30P	56	26.2	52.40	1,000



**MORETHANALL**  
CONNECTORS  
ASSEMBLIES

PART NO. **PNM-W-xx**

DWG NO. **PNM-W-xx**

FILE NO.

UNIT / mm

SCALE 1:1

CHECKED BY CY

DRAWING BY

PROJECTION



TOLERANCES ARE

.X ± 0.2  
.XX ±  
.XXX ±  
AWG

DESCRIPTION:

AREA

**1.25mm PITCH  
90° WAFER-SMT TYPE  
TAPING SPEC.**

REVISIONS

HK

DATE

煜倫股份有限公司