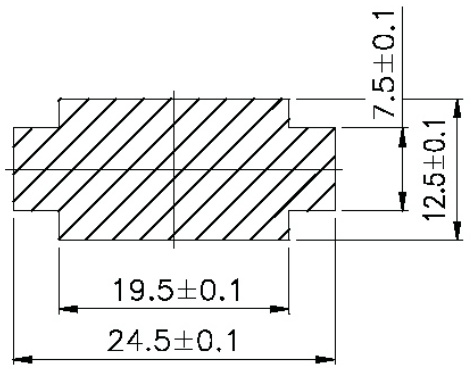
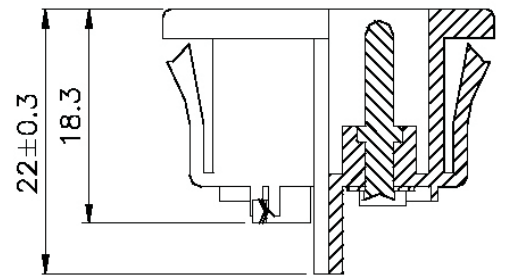


STANDARD: IEC 320 C8
 RATING: 2.5A/250V AC
 APPROVALS: UL/CSA/VDE/ÖVE/SEV/
 DEMKO/NEMKO/SEMKO/FIMKO



PANEL CUTOUT THICKNESS 0.6mm~2.0mm

ACD-PRPA-02-LF
 LEADFREE

RoHS Compliant



PART NO. ACD-PRPA-02

DWG NO. ACD-PRPA-02

FILE NO.

CHECKED BY CY

DRAWING BY

TOLERANCES ARE

.X ± 0.2
 .XX ±
 .XXX ±
 AWG

DESCRIPTION:

焯倫股份有限公司

UNIT / mm

SCALE 1:1

PROJECTION

AREA

REVISIONS

HK

DATE