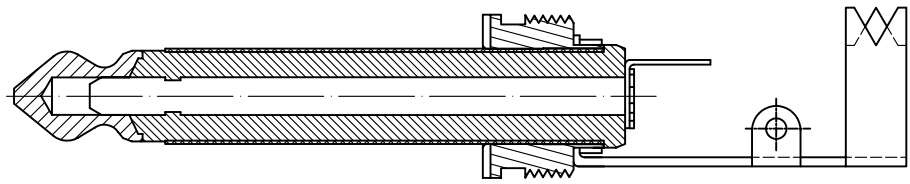
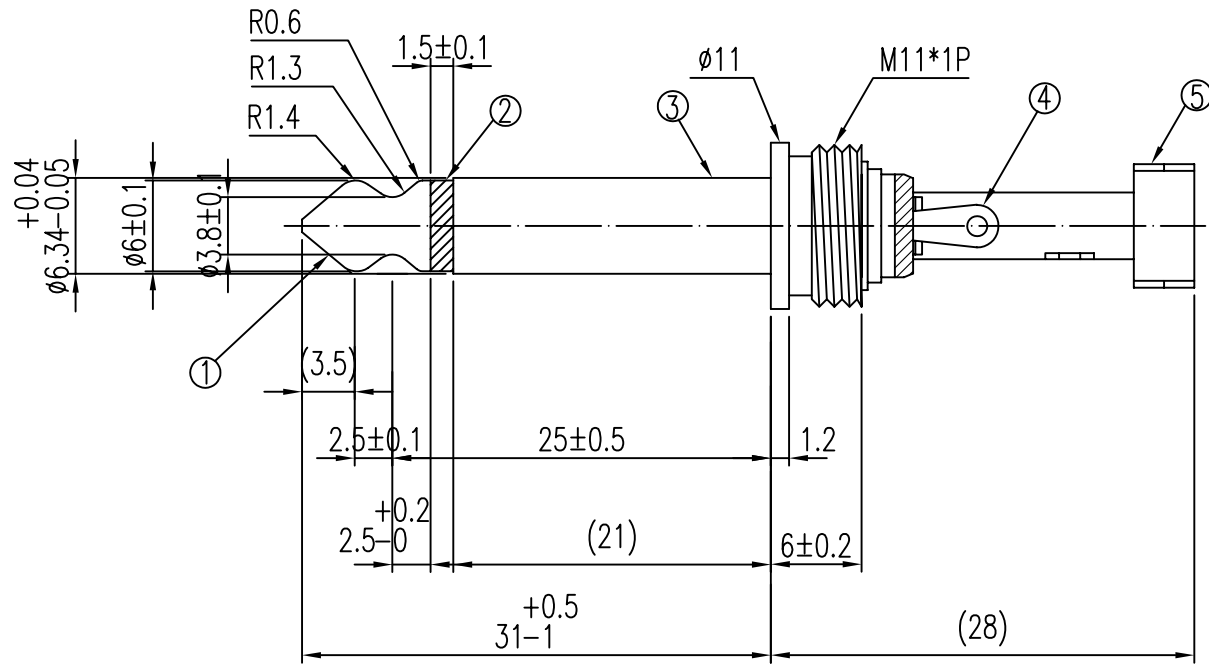


| 一般公差 | |
|-----------|------|
| 尺寸區分 | 公差 |
| 0>1.0 | ±0.1 |
| 1.0>6.0 | ±0.2 |
| 6.0>12.0 | ±0.3 |
| 12.0>25.0 | ±0.4 |
| 25.0> | ±0.5 |



| | |
|----|--------------|
| 5 | BRASS NICKEL |
| 4 | BRASS NICKEL |
| 3 | BRASS NICKEL |
| 2 | ABS BLACK |
| 1 | BRASS NICKEL |
| NO | CONTENT |

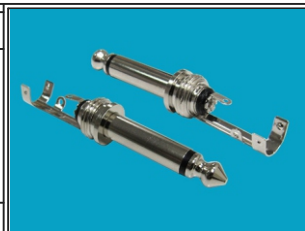
RoHS Compliant

TOLERANCES ARE

MORETHANALL
PCB CONNECTORS
Cable ASSEMBLIES

DRAWING BY CY
CHECKED BY GENIUS
UNIT / mm SCALE 1 : 1
DATE

X. ±
.X ±
.XX ±
.XXX ±
ANG ±



ORDER INFORMATION

HP-AXC-02-LF
SERIES | LEADFREE
| 02 WAY
| NON COVER
ASSEMBLY

煜倫股份有限公司

www.morethanall.com

SIZE A4

PJECTION

DESCRIPTION: 6.3mm MONO PLUG ASSEMBLY TYPE