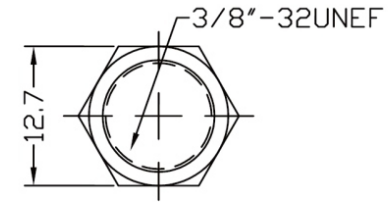
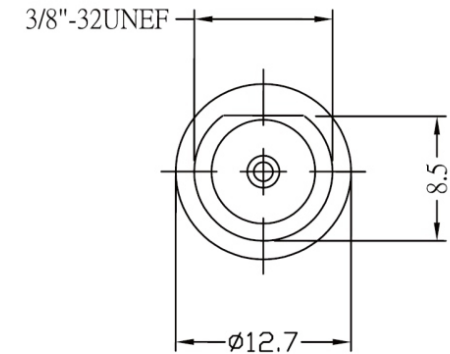
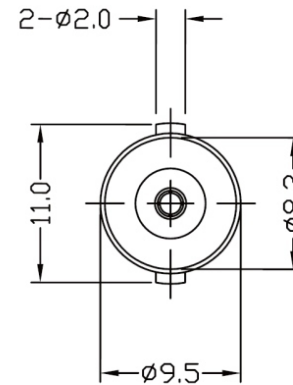


LOCK WASHER



厚度為2.3mm

UNT



7				
6	1	BRASS	GROUND	NICKEL
5	1	COPPER	LOCK WASHER	NICKEL
4	1	BRASS	NUT	NICKEL
3	1	TEFLON	INSULATOR	WHITE
2	1	COPPER	CONTACT	GOLD
1	1	BRASS	BODY	NICKEL
ITEM	Q'TY	MATERIAL	DESCRIPTION	FINISH

RoHS Compliant

TOLERANCES ARE

MORETHANALL
PCB CONNECTORS
Cable ASSEMBLIES

煜倫股份有限公司

www.morethanall.com

DRAWING BY CY

CHECKED BY GENIUS

UNIT / mm

SCALE 1 : 1

DATE

SIZE A4

PJECTION

X. ±
.X ±
.XX ±
.XXX ±
ANG ±



ORDER INFORMATION

BNC-JSPA-50-LF

SERIES | | | LEADFREE
| | | 50 OHM
| | | PANEL FRONT
| | | SOLDER
| | | JACK

DESCRIPTION: