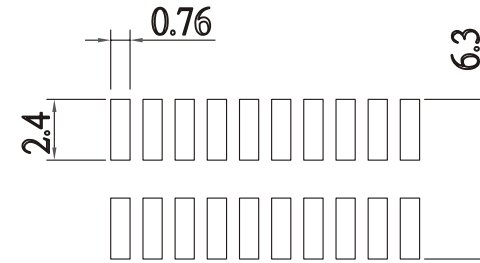
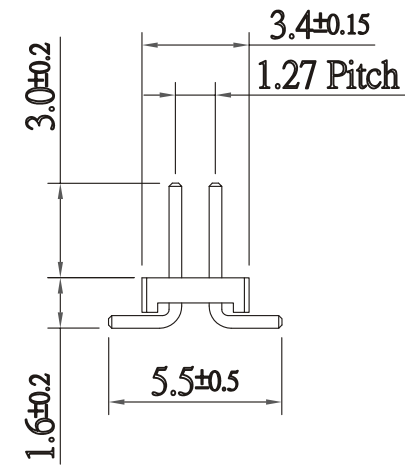


$A = 1.27 * (\text{NO of Positions} - 1)$
 $B = A + 1.27 \pm 0.3$



P.C.Board Layout

Contract:
 Contact: Brass.
 Insulator: Nylon 6T.
 Finish: Gold flash plated over nickel.



煜倫有限公司

PART NO. PA-V16X-2Xxx		CHECKED BY CY		TOLERANCES ARE .X ± .XX ± .XXX ± AWG		DESCRIPTION: 1.27X1.27 PIN HEADER SMT DUAL ROW (1.1/C=3.0)			
DWG NO. PA-V16X-2Xxx		DRAWING BY				AREA	REVISIONS	HK	DATE
FILE NO.	UNIT / mm	SCALE 1:1	PROJECTION						