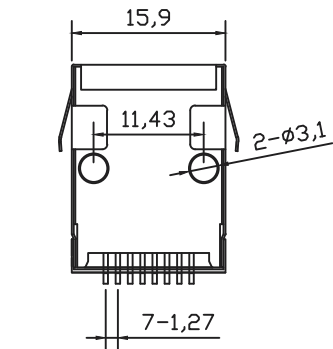
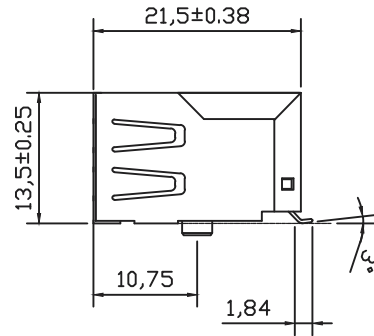
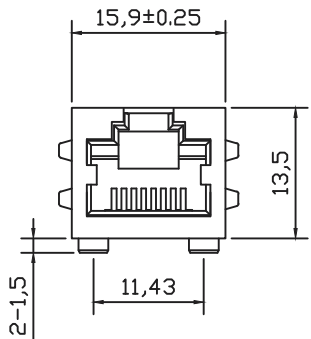


PCB Layout



NOTE:

1. Shielded - 0.20mm THICKNESS BRASS C2680 H. PLATING NICKEL 30u"-50u".
2. Housing- Standard Material LCP, Glass Filled Polyester UL94V-0 Standed Color Black.
3. RJ Terminal- Plastic: LCP, UL94V-0, Standard Color Black. Pin: 0.35mm Thickness Phos-Bronze C5210 EH. Plating: Nickel 40u"~60u" for all and Sn 100% ,and Gold Plating.
4. Input Terminal- LCP, Glass Filled, UL94V-0, Standard Color Black. Pin: 0.35mm Thickness Phos-Bronze C2680. Plating: Nickel 40u"~60u" for all and Sn 100%.

RoHS Compliant

TOLERANCES ARE

MORETHANALL
PCB CONNECTORS
Cable ASSEMBLIES

DRAWING BY CY

CHECKED BY GENIUS

UNIT / mm

SCALE 1 : 1

DATE

SIZE A4

X, ±
.X ± 0.38
.XX ± 0.20
.XXX ± 0.10
ANG ±

P PROJECTION



ORDER INFORMATION

MJWF13T25U-KS06NP2-0808-LF

SERIES

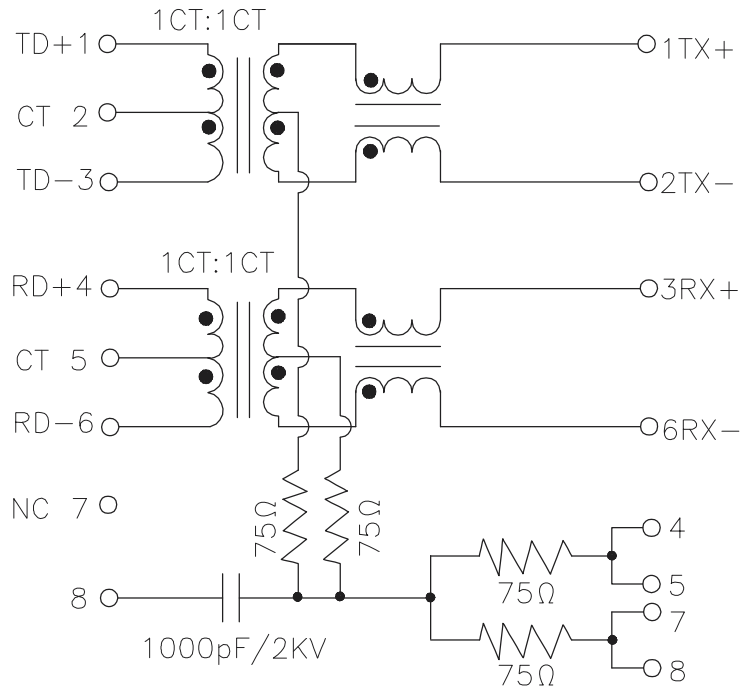
BLACK
06u" SPRING
INNER EAR
POST
8P8C

LEADFREE

煜倫股份有限公司

www.morethanall.com

DESCRIPTION:



ELECTRICAL SPECIFICATIONS@25°C:

Turn Ratio($\sqrt{2}$): 1:1

INSERTION LOSS (1-100MHz): -1.0dB MAX.

Return Loss (dB MIN): -18dB(1-30MHz)

-[18-20LOG(F/30MHz)dB (30-60MHz), -12dB(60-80MHz)

Cross talk (dB MIN): -50dB(0.5-1MHz), -50dB(10MHz)

-40dB (30MHz), -35dB (50MHz), -30dB (100MHz)

CMR(dB MIN): -50dB(0.3-1MHz), -47dB(10MHz)

-42dB (30MHz), -37dB (60MHz), -30dB (100MHz)

CDMR(dB MIN): -50dB(0.3-1MHz), -50dB(10MHz)

-50dB (30MHz), -45dB (60MHz), -40dB (100MHz)

HI-POT TEST: 1500Vrms/0.5mA/2Sec.

PRIMARY INDUCTANCE: 350uH MIN @100KHz/0.1V, 8mA

D.C.BIAS

RoHS compliance: YES

RoHS Compliant

TOLERANCES ARE

MORETHANALL
PCB CONNECTORS
Cable ASSEMBLIES

DRAWING BY CY

X, ±

CHECKED BY GENIUS

.X ± 0.38

UNIT / mm

SCALE 1:1

.XX ± 0.20

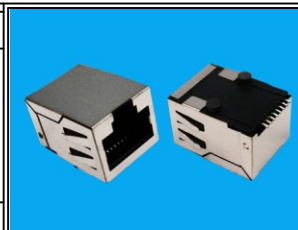
DATE

.XXX ± 0.10

ANG ±

SIZE A4

PJECTION



ORDER INFORMATION

MJWF13T25U-KS06NP2-0808-LF

SERIES

LEADFREE

BLACK
06u" GOLD
SPRING

8P8C

POST
INNER EAR

煜倫股份有限公司

www.morethanall.com

DESCRIPTION: