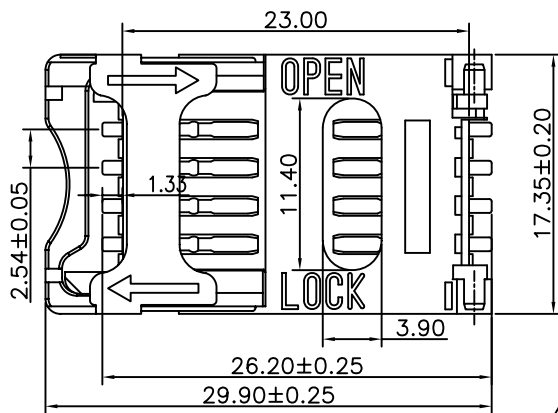
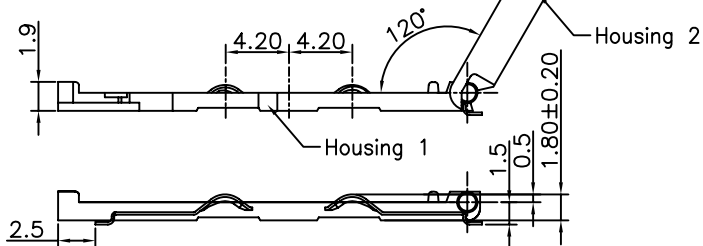
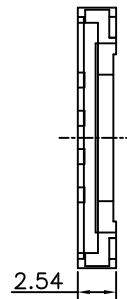


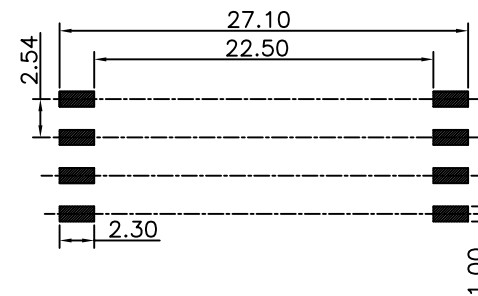
6p



8p



Recommended P.C.Board  
Layout  
(Tolerance:±0.05)



**RoHS Compliant**

TOLERANCES ARE

**MORETHANALL**  
PCB CONNECTORS  
Cable ASSEMBLIES

煜倫股份有限公司

www.morethanall.com

DRAWING BY CY

CHECKED BY GENIUS

UNIT / mm

SCALE 1 : 1

DATE

SIZE A4

X ± 0.30

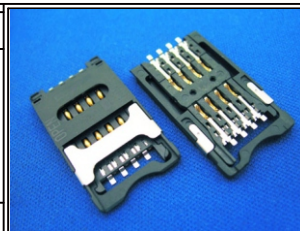
.X ± 0.25

.XX ± 0.15

.XXX ± 0.10

ANG ±

P PROJECTION



**ORDER INFORMATION**

SCV-W2425X-xx-LF  
SERIES | | | LEADFREE  
| | | 06.08 WAY  
90°SMT | | | NON POST  
| | | HIGH 2.54mm  
| | | PAD TO PAD 24.80mm

DESCRIPTION: