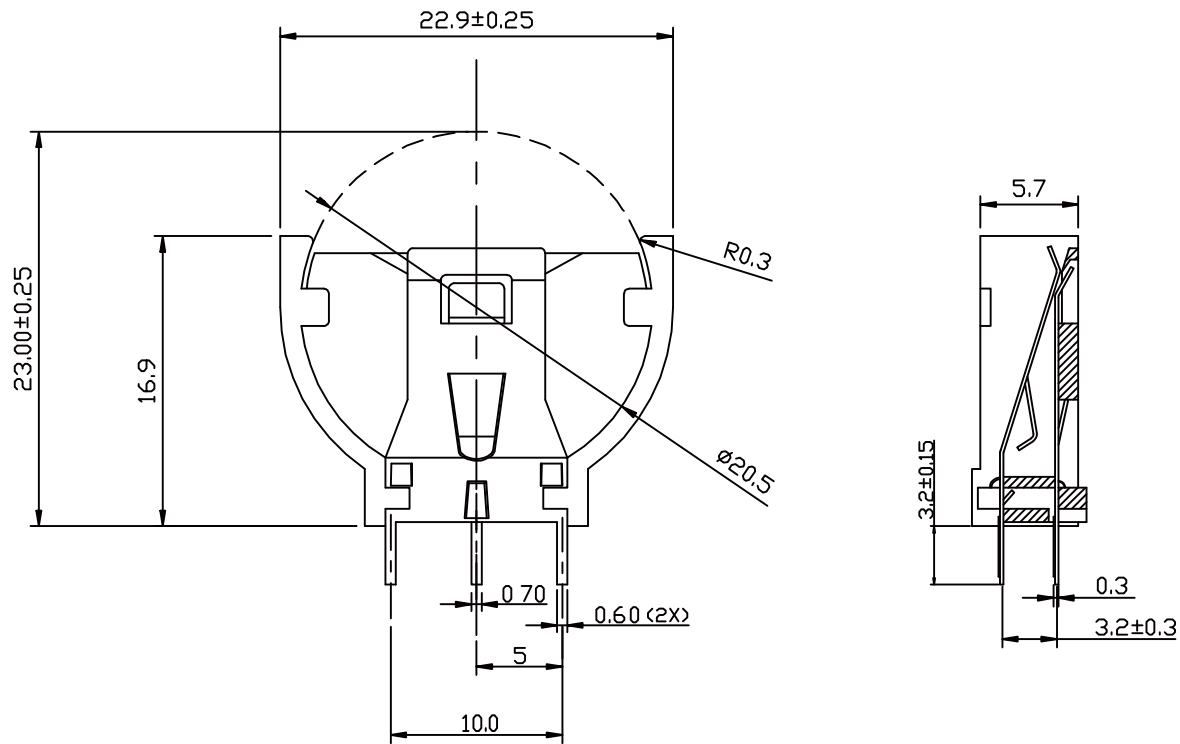


P.C. BOARD LAYOUT

NOTE: P.C.B LAYOUT TOLERANCE: $\pm 0.05\text{mm}$

HOUSING: NYLON 66 (UL94V-0)
 CONTACT: PHOSPHOR BRONZE
 FINISH: TIN PLATED OVER NICKEL
 Applicable: Battery CR 2032



RoHS Compliant

TOLERANCES ARE

MORETHANALL
 PCB CONNECTORS
 Cable ASSEMBLIES

煜倫股份有限公司

www.morethanall.com

DRAWING BY CY

CHECKED BY GENIUS

UNIT / mm

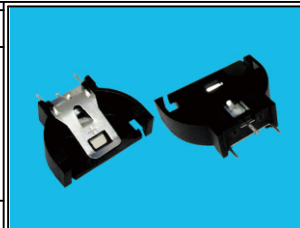
SCALE 1:1

DATE

SIZE A4

P PROJECTION

X, \pm
 .X ± 0.35
 .XX ± 0.20
 .XXX ± 0.10
 ANG $\pm 2^\circ$



ORDER INFORMATION

BTH-U-20-LF
 SERIES | T LEADFREE
 CR 2032
 U TYPE

DESCRIPTION: BATTERY HOLDER