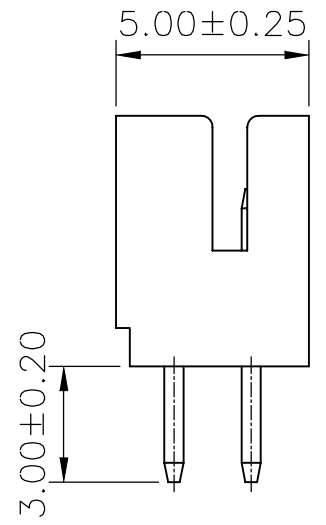
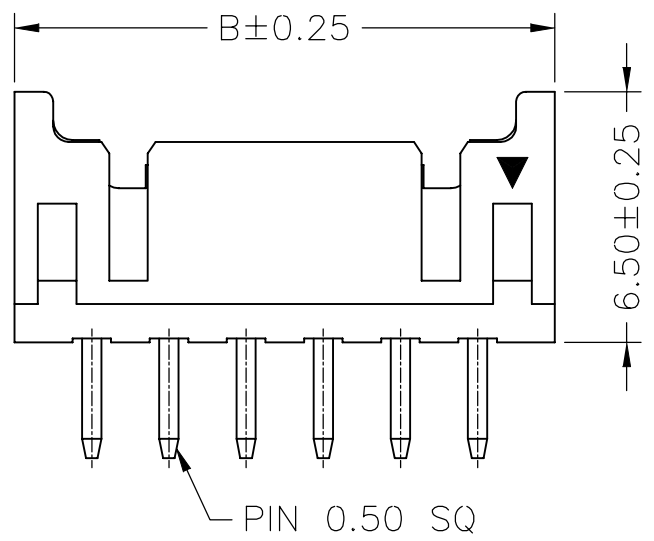
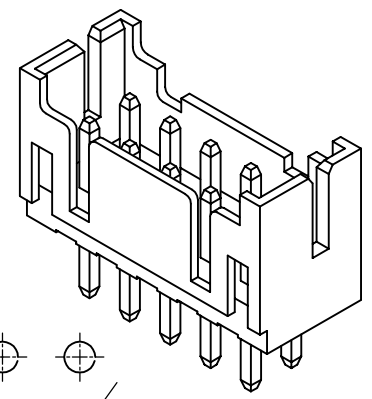
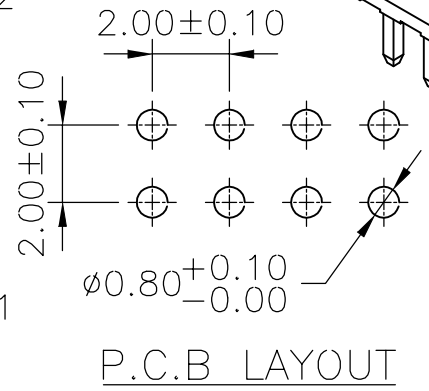
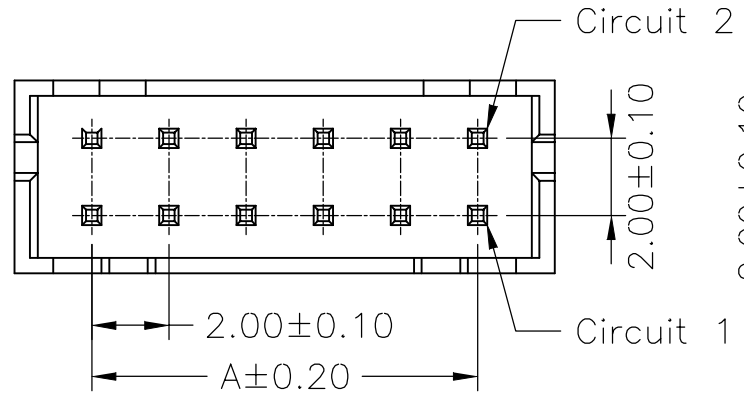


SPECIFICATIONS
 Current Rating: 1A AC,DC
 Voltage Rating: 130V AC,DC
 Temperature Range: -25°C ~ +85°C
 Contact Resistance: 20mΩ Max.
 Insulation Resistance: 1000MΩ Min.
 Withstanding Voltage: 800V AC/minute
 Pin Material: Bass/Tin-plated
 Material: Nylon 66,UL94V-0



DF11-D-2Xxx-LF
 LEADFREE

RoHS Compliant

Ordering Information & Dimensions

PART NO.	Dimensions	
	A	B
DF11-D-2X02	2.00	6.00
DF11-D-2X03	4.00	8.00
DF11-D-2X04	6.00	10.00
DF11-D-2X05	8.00	12.00
DF11-D-2X06	10.00	14.00
DF11-D-2X07	12.00	16.00
DF11-D-2X08	14.00	18.00
DF11-D-2X09	16.00	20.00
DF11-D-2X10	18.00	22.00
DF11-D-2X11	20.00	24.00
DF11-D-2X12	22.00	26.00
DF11-D-2X13	24.00	28.00
DF11-D-2X14	26.00	30.00
DF11-D-2X15	28.00	32.00
DF11-D-2X16	30.00	34.00
DF11-D-2X17	32.00	36.00
DF11-D-2X18	34.00	38.00
DF11-D-2X19	36.00	40.00
DF11-D-2X20	38.00	42.00



PART NO. **DF11-D-2Xxx**

DWG NO. **DF11-D-2Xxx**

FILE NO.

UNIT / mm

SCALE 1:1

CHECKED BY CY

DRAWING BY

PROJECTION

TOLERANCES ARE

.X ± 0.2
.XX ±
.XXX ±
AWG

DESCRIP TION:
AREA

2.00mm PITCH 180° WAFER
 REVISIONS
 HK
 DATE

焯倫股份有限公司