

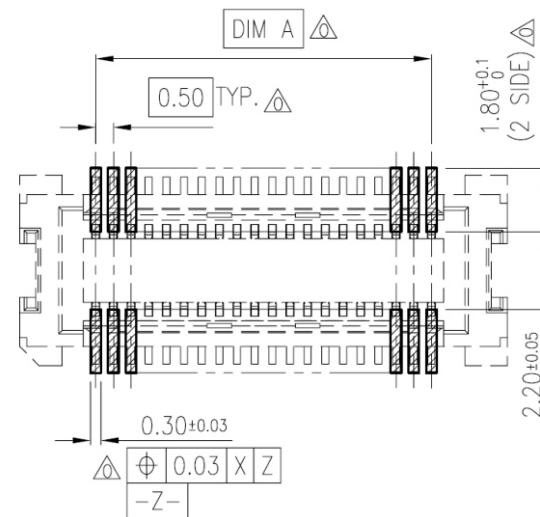
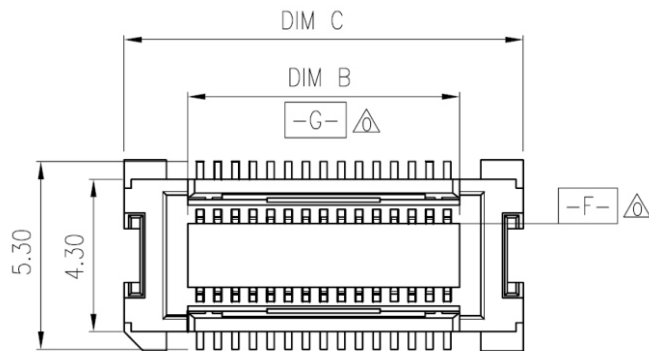
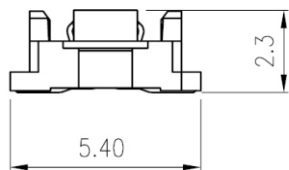
Notes:

△ 1. Material:

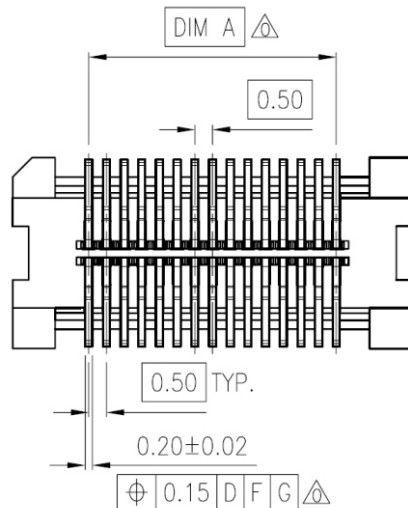
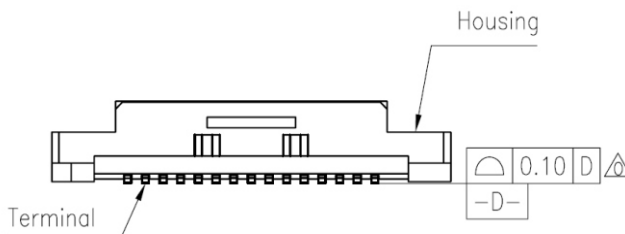
Housing is high temperature plastic  
color is nature ,UL94 V-0  
Terminal is copper alloy thickness is 0.15 mm

2. Plating:

1.27 um min. Nickel over all  
Gold Flash all over



RECOMMEND P.C.B LAYOUT



**NP0518-S23X-xxx-LF**  
**LEADFREE**  
**RoHS Compliant**

P/N	Ckts	Dim A	Dim B	Dim C
NP0518-S23X-020	20	4.50	5.20	8.80
NP0518-S23X-030	30	7.00	7.70	11.30
NP0518-S23X-040	40	9.50	10.20	13.80
NP0518-S23X-050	50	12.00	12.70	16.30
NP0518-S23X-060	60	14.50	15.20	18.80
NP0518-S23X-070	70	17.00	17.70	21.30
NP0518-S23X-080	80	19.50	20.20	23.80

**MORETHANALL**  
CONNECTORS  
ASSEMBLIES

PART NO. **NP0518-S23X-xxx**

DWG NO. **NP0518-S23X-xxx**

CHECKED BY CY

TOLERANCES ARE

DESCRIP TION:

焯倫股份有限公司

FILE NO.

DRAWING BY

.X ± 0.2  
.XX ±  
.XXX ±  
AWG

AREA

REVISIONS

HK

DATE

UNIT / mm

SCALE 1:1

PROJECTION

