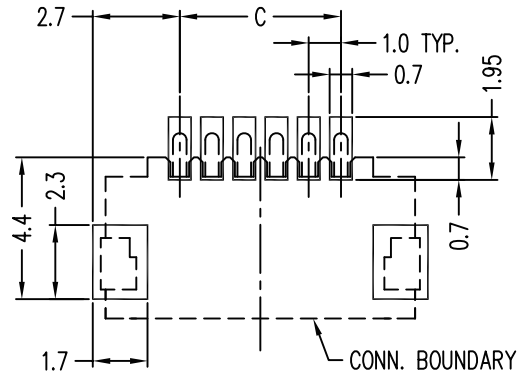


PERFORMANCE CHARACTERISTICS

Operating Voltage: 50 VAC Max.
 Current Rating: 0.5 Amp Max.
 Contact Resistance: 30 mΩ Max.
 Insulation Resistance: 500 MΩ Min.
 Dielectric Withstanding Voltage: 500 VAC RMS.
 Operating Temperature: -40°C TO +85°C
 Accommodated FFC/FPC Thickness: 0.25~0.35mm

MATERIAL

Insulator: High Temperature Thermoplastic
 UL94V-0 Rated
 Insulator Color: See Ordering Information
 Contact: Copper Alloy
 Me: Copper Alloy
 Plating: See Ordering Information



(RECOMMENDED PCB LAYOUT)

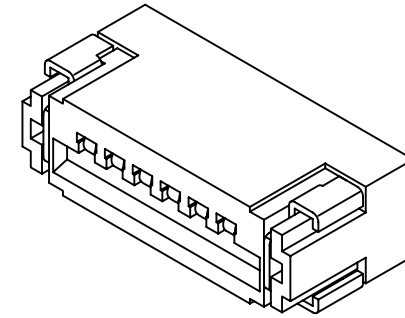
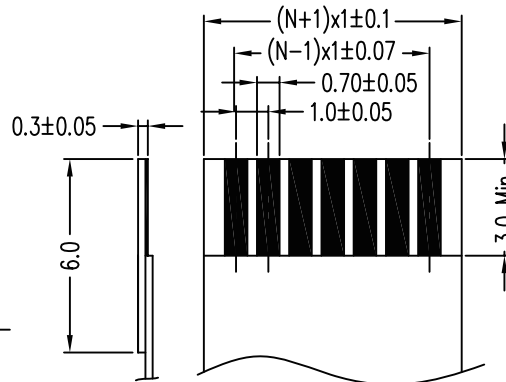
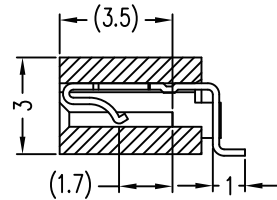
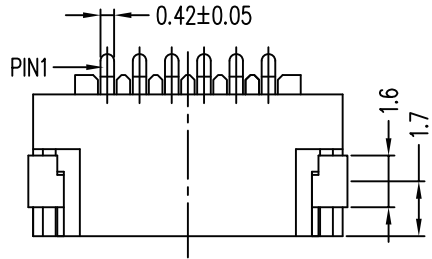
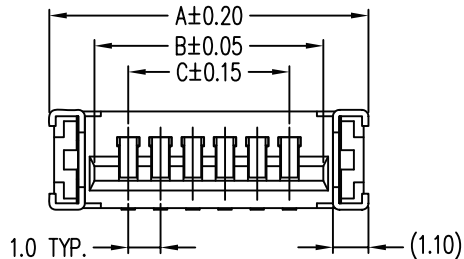


TABLE OF DIM.

POS.	A	B	C	POS.	A	B	C
3	7.00	4.15	2.00	18	22.00	19.15	17.00
4	8.00	5.15	3.00	19	23.00	20.15	18.00
5	9.00	6.15	4.00	20	24.00	21.15	19.00
6	10.00	7.15	5.00	21	25.00	22.15	20.00
7	11.00	8.15	6.00	22	26.00	23.15	21.00
8	12.00	9.15	7.00	23	27.00	24.15	22.00
9	13.00	10.15	8.00	24	28.00	25.15	23.00
10	14.00	11.15	9.00	25	29.00	26.15	24.00
11	15.00	12.15	10.00	26	30.00	27.15	25.00
12	16.00	13.15	11.00	27	31.00	28.15	26.00
13	17.00	14.15	12.00	28	32.00	29.15	27.00
14	18.00	15.15	13.00	29	33.00	30.15	28.00
15	19.00	16.15	14.00	30	34.00	31.15	29.00
16	20.00	17.15	15.00	31	35.00	32.15	30.00
17	21.00	18.15	16.00	32	36.00	33.15	31.00



N=NUMBER OF CONTACTS
(APPLICABLE FPC/FFC)



RoHS Compliant

TOLERANCES ARE

MORETHANALL
 PCB CONNECTORS
 Cable ASSEMBLIES

DRAWING BY CY

CHECKED BY GENIUS

UNIT/mm

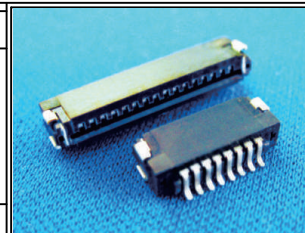
SCALE 1:1

DATE

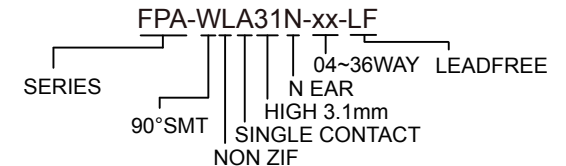
SIZE A4

PJECTION

X. ±
 .X ±
 .XX ±
 .XXX ±
 ANG ±



ORDER INFORMATION



DESCRIPTION:

煜倫股份有限公司

www.morethanall.com