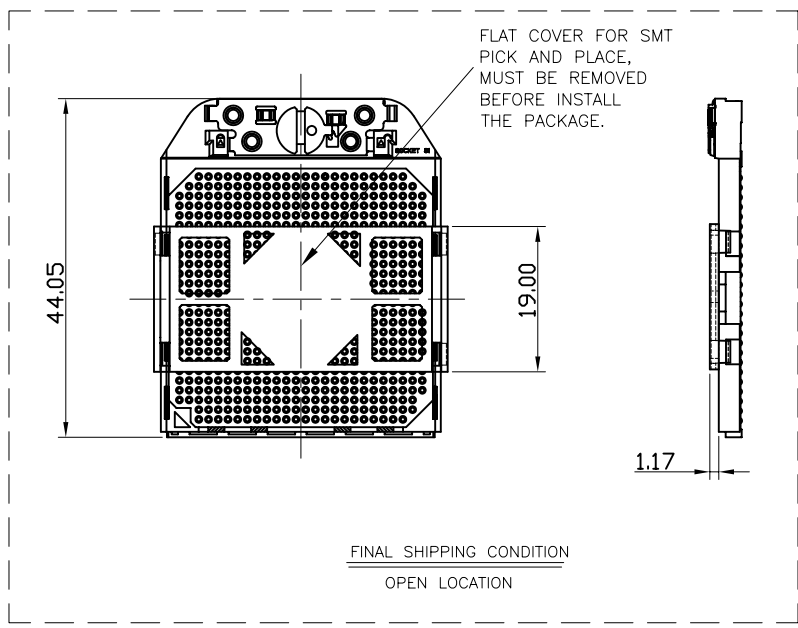
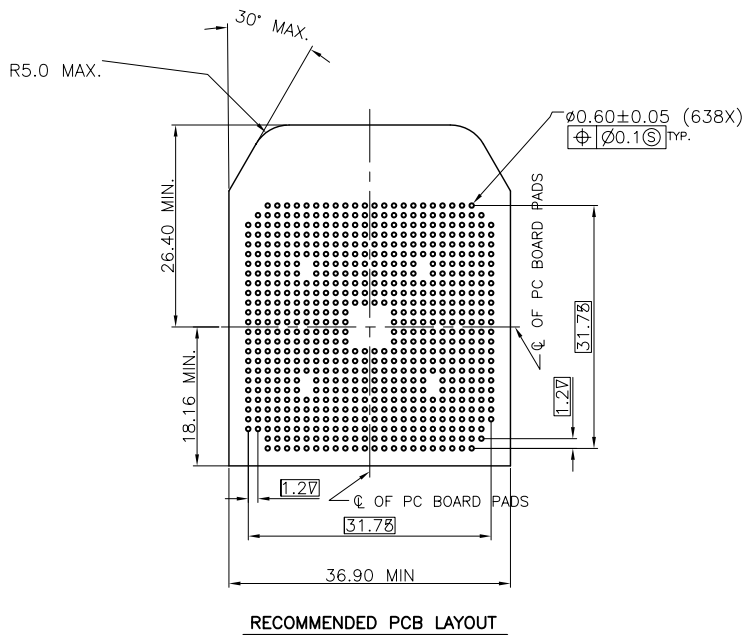


A			PART NO. MPGA-VS-638		TOLERANCES ARE .X ± 0.2 .XX ± .XXX ± AWG	DESCRIPTION:			
	焯倫股份有限公司		DWG NO. MPGA-VS-638						
B	UNIT / mm		SCALE 1:1		DRAWING BY	AREA	REVISIONS	HK	DATE
	PROJECTION								

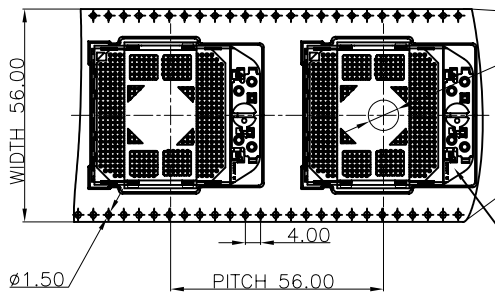


- NOTE:
- 1.BASE: HIGH TEMPERATURE THERMOPLASTIC. UL94V-0, BLACK.
  - 2.OOVER: HIGH TEMPERATURE THERMOPLASTIC. UL94V-0,NATURE.
  - 3.FLAT OOVER: HIGH TEMPERATURE THERMOPLASTIC ,BLACK.
  - 4.OONTACT: OOPPER ALLOY
  - 5.OTHERS: STAINLESS STEEL.
  - 6.PLATING: SELECTIVE GOLD OVER OONTACT AREA,GOLD FLASH OVER SOLDER AREA, PREPLATED NICKEL OVER ALL.
  - 7.OOVER HOUSING ACTUATION NOMINAL DISTANCE :0.65mm
  - 8.USER INTERFACE:
    - 1)BLADE SCREW DRIVER TO ACTUATE;
    - 2)CLOCKWISE TO "CLOSE",COUNTERCLOCKWISE TO "OPEN";
    - 3)CAM ROTATION ANGLE (OPEN-CLOSE): 180 DEGREES
  - 9.SOCKET WILL ACCEPT PACKAGE WITH A PIN  $\phi 0.305+0.025/-0.025$  AND A LENGTH OF  $2.03\pm 0.08$  LOCATED ON A TRUE POSITION OF  $\phi 0.25$

MPGA-VS-638-LF  
LEADFREE  
RoHS Compliant

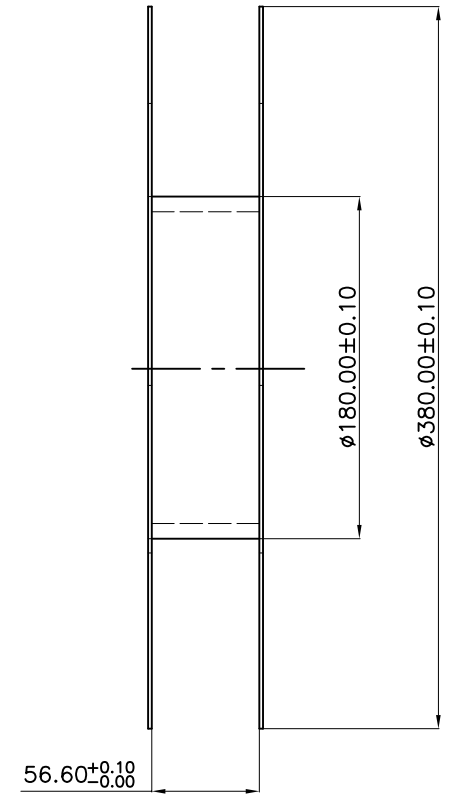
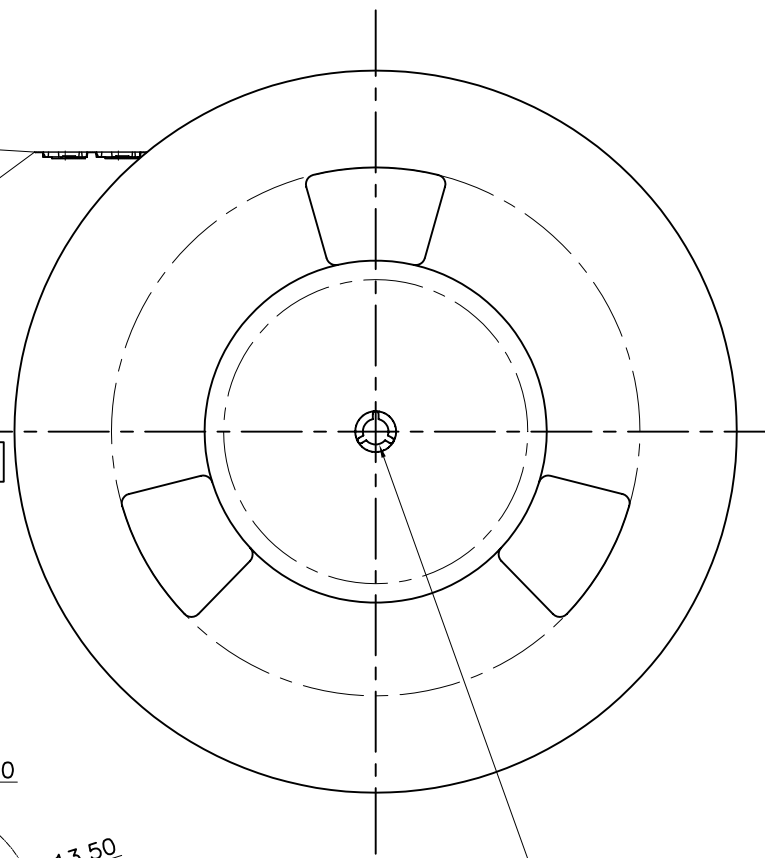
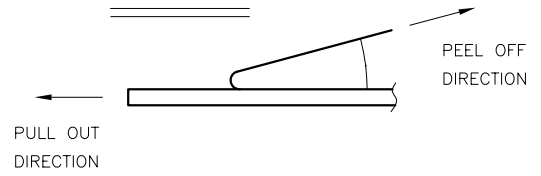
A		PART NO. MPGA-VS-638		CHECKED BY CY	TOLERANCES ARE .X ± 0.2 .XX ± .XXX ± AWG	DESCRIP TION:				
		DWG NO. MPGA-VS-638								DRAWING BY
B		FILE NO.		PROJECTION	AREA	REVISIONS	HK	DATE		
		UNIT / mm	SCALE 1:1							

煜倫股份有限公司

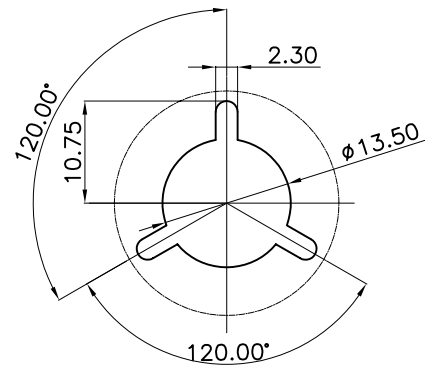


THE DIRECTION OF PACKAGEING AS SHOW IN THE DRAWING ,  
AND THE HEAD OF PRODUCT SHOULD BE LEAD THE INNER PART OF REEL.

SCALE 2:1



- NOTE:
- 1.THE QUANTITY TO BE PACKED PRODUCT :  
150PCS PER REEL
  - 2.PEELING OFF FORCE OF COVER TAPE:  
30~140gf
  - 3.MATERIAL: CARRIER TAPE: POLYPROPLENE  
COVER TAPE: PET,PE,PEF  
REEL: PAPER



DETAIL:A  
SCALE 5:1

DETAIL A

1	MPGA-VS-638	10u" GOLD PLATING, REEL Sn/Ag/Cu ALLOY SOLDER BALL
ITEM	PART NO	DESCRIPTION

**MORETHANALL**  
CONNECTORS  
ASSEMBLIES

煜倫股份有限公司

PART NO. MPGA-VS-638		CHECKED BY CY	TOLERANCES ARE .X ± 0.2 .XX ± .XXX ± AWG	DESCRIP TION:			
DWG NO. MPGA-VS-638							
FILE NO.		PROJECTION	AREA	REVISIONS	HK	DATE	
UNIT / mm	SCALE 1:1						