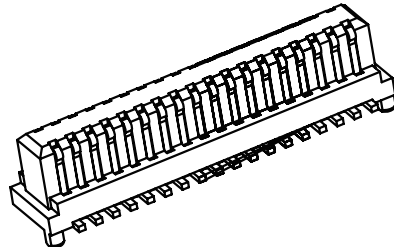


Specifications

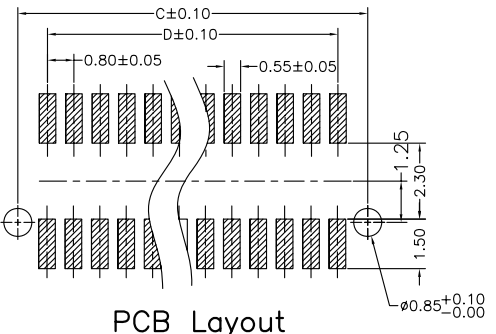
Current Rating:0.5A AC/DC
 Voltage Rating:100V AC/DC
 Contact Resistance:40m ohm. Max
 Insulation Resistance:100Mohm min
 Withstanding Voltage:500V(r.m.s) For one Minute
 Operating Temperature Range:-40°C to 105°C
 Materials:
 Insulator:High Temp. Plastic(Nylon 46 UL94V-0 White)
 Conact :Phosphor Bronze
 Plated:Gold Plated



Contacts Dimension :

Number of Position	A	B	C	D	Number of Position	A	B	C	D
10	5.60	4.85	5.00	3.20	34	15.20	14.45	14.60	12.80
12	6.40	5.65	5.80	4.00	36	16.00	15.25	15.40	13.60
14	7.20	6.45	6.60	4.80	38	17.80	16.05	16.20	14.40
16	8.00	7.25	7.40	5.60	40	17.60	16.85	17.00	15.20
18	8.80	8.05	8.20	6.40	50	21.60	20.85	21.00	19.20
20	9.60	8.85	9.00	7.20	60	25.60	24.85	25.00	23.20
22	10.40	9.65	9.80	8.00	68	28.80	28.05	28.20	26.40
24	11.20	10.45	10.60	8.80	70	29.60	28.85	29.00	27.20
26	12.00	11.25	11.40	9.60	80	33.60	32.85	33.00	31.20
28	12.80	12.05	12.20	10.40	90	37.60	36.85	37.00	35.20
30	13.60	12.85	13.00	11.20	100	41.60	40.85	41.00	39.20
32	14.40	13.65	13.80	12.00					

**Mating Height Dimension		Mating Height Dim A1	Mating Height Dim H
P/N(Plug)	P/N(Socket)		
NP0820-PV365P-xxx	NP0820-SV085P-xxx	3.65	4.50
NP0820-PV415P-xxx	NP0820-SV085P-xxx	4.15	5.00
NP0820-PV515P-xxx	NP0820-SV085P-xxx	5.15	6.00
NP0820-PV565P-xxx	NP0820-SV085P-xxx	5.65	6.50
NP0820-PW480X-xxx	NP0820-SV085P-xxx	4.70	5.65



PCB Layout

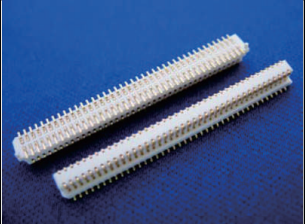
RoHS Compliant



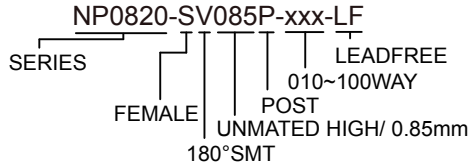
煜倫股份有限公司

www.morethanall.com

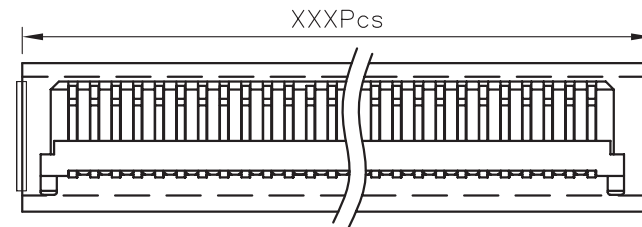
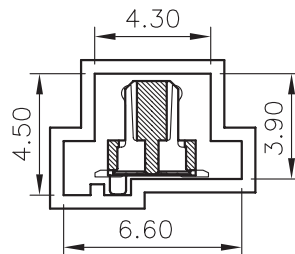
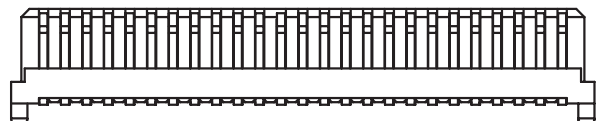
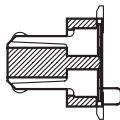
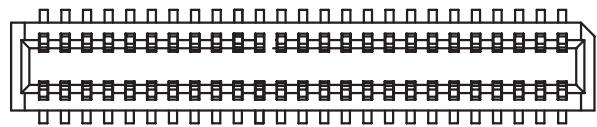
DRAWING BY CY		TOLERANCES ARE X, ± .X ± 0.20 .XX ± 0.10 .XXX ± ANG ±
CHECKED BY GENIUS		
UNIT/ mm	SCALE 1:1	
DATE		
SIZE A4	PJECTION	



ORDER INFORMATION



DESCRIPTION: 0.8mm Board To Board Socket 3.55mm Height



Note:

1,Dimension

Tube Size: L=635mm

Inner Carton Size:650(L)X140(W)X125(H) (mm)

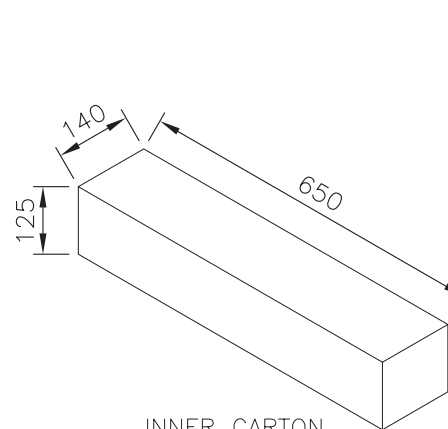
Carton Size:660(L)X270(W)X300(H) (mm)

2,Quantity:

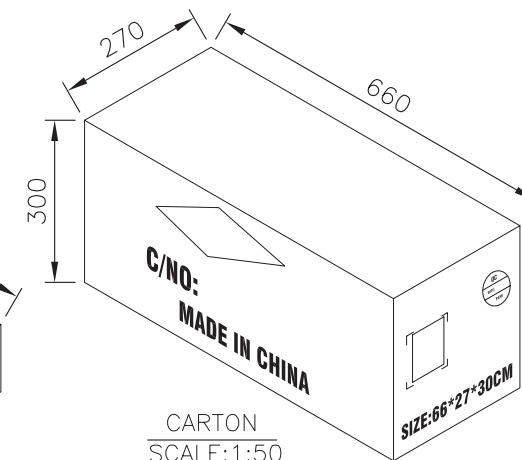
180 Tube/Inner Carton

4 Inner Carton/Carton

Pin.	Pcs/Tube	Pcs/Inner Carton	Pcs/Carton	Pin.	Pcs/Tube	Pcs/Inner Carton	Pcs/Carton
10	108	19440	77760	34	40	7200	28800
12	95	17100	68400	36	38	6840	27360
14	84	15120	60480	38	36	6480	25920
16	76	13680	54720	40	34	6120	24480
18	69	12420	49680	50	28	5040	20160
20	63	11340	45360	60	23	4140	16560
22	58	10440	41760	68	21	3780	15120
24	54	9720	38880	70	20	3600	14400
26	50	9000	36000	80	18	3240	12960
28	47	8460	33840	90	16	2880	11520
30	44	7920	31680	100	14	2520	10080
32	42	7560	30240				



INNER CARTON
SCALE:1:50



CARTON
SCALE:1:50

RoHS Compliant

TOLERANCES ARE

MORETHANALL
PCB CONNECTORS
Cable ASSEMBLIES

煜倫股份有限公司

www.morethanall.com

DRAWING BY CY

CHECKED BY GENIUS

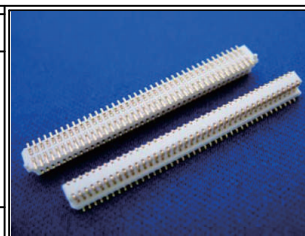
UNIT/ mm SCALE 1:1

DATE

SIZE A4

X. ±
.X ±
.XX ±
.XXX ±
ANG ±

PROJECTION



ORDER INFORMATION

NP0820-SV085P-xxx-LF
SERIES | FEMALE | POST | UNMATED HIGH/ 0.85mm | LEADFREE | 010~100WAY | 180°SMT

DESCRIPTION: 0.8mm Board To Board Socket 3.55mm Height