

TECHNICAL CHARACTERISTICS

1. General Characteristics

Dimensions: 14.20L x16.30 W x 1.90H mm 0.05g
 Weight: Approx. 0.4 g Contact principle: Friction technology
 Operating position: Shaft up / Down / Horizontal
 Mounting System: SMT without post
 Durability: 5,000 cycles min.

2. Mechanical Characteristics:

Insulation material: Thermoplastic, UL 94-V0

3. Electrical Characteristics

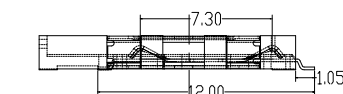
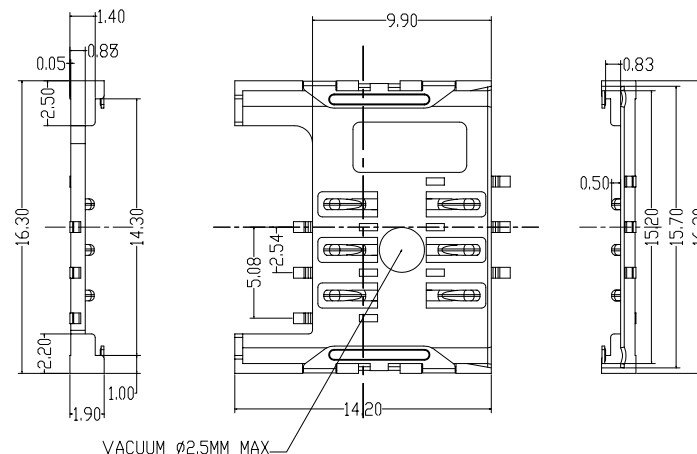
Number of contacts: 6 pins
 Contact resistance: 50 m Ohm typical, 100 m Ohm max.
 Insulation resistance: > 1000 M / 500 VDC

4. Solderability

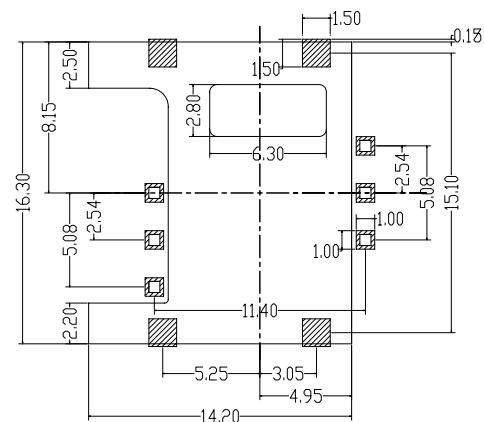
Wave: Not applicable
 Vaporphase: 215 C, 30 sec. Max.
 IR reflow: 260 C, 10 sec. Max.
 Manual soldering: 360 C, 3 sec. Max.

5. Environmental Characteristics

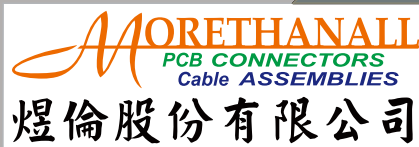
Operating temperature: - 40 C, ~ + 85 C,
 Operating humidity: 10 % ~ 95 % RH
 Storage temperature: - 40 C, ~ + 85 C,
 Storage humidity: 10 % ~ 95 % RH
 Thermal shock: - 40 C, ~ + 85 C, 5 cycles
 Damp Heat: 40 C, 90 % RH, 500HR.
 Salt-mist: 35 C, 5%, NaCl , 48H.



Unit: mm; T olerances: ± 0.10 mm
 Mechanical outline dimension



Unit: mm; T olerances: ± 0.10 mm
 Reference dimension for PCB layout



www.morethanall.com

RoHS Compliant

DRAWING BY CY

CHECKED BY GENIUS

UNIT / mm

SCALE 1 : 1

DATE

SIZE A4

TOLERANCES ARE

X, \pm

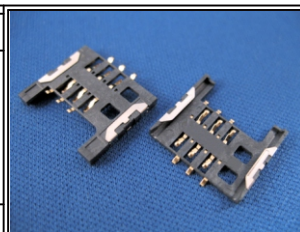
.X \pm

.XX \pm

.XXX \pm

ANG \pm

P PROJECTION



ORDER INFORMATION

SCU-W119X-06-LF

SERIES | | | | LEADFREE
 | | | | 06WAY
 | | | | NON POST
 | | | | HIGH 1.9mm
 | | | | PAD TO PAD 11.40mm
 | | | | 90°SMT

DESCRIPTION: