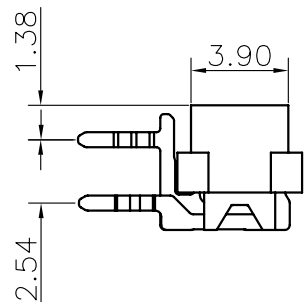
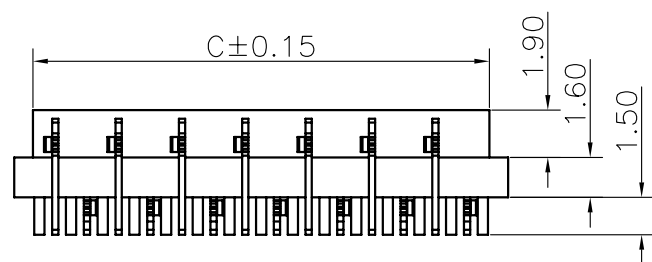
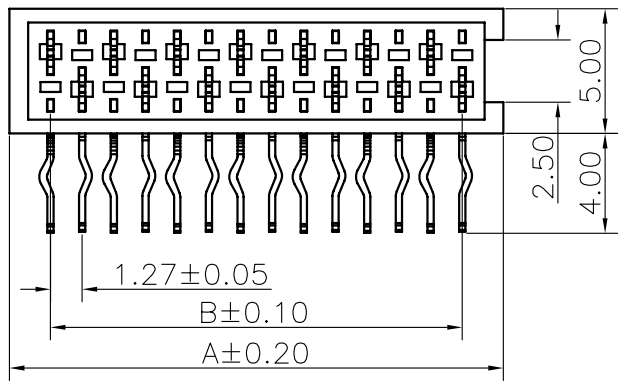
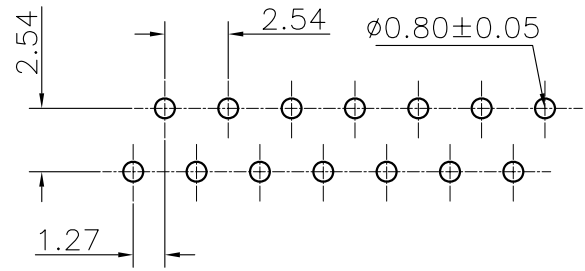


Specifications:
 Current rating:1.0A AC,DC
 Voltage rating:30V AC, DC
 Contact resistance:20m ohm. Max.
 Insulation resistance:1000M ohm. Min.
 Withstanding voltage:AC 500V AC/minute
 Operating temperature range:-40°C ~ +105°C
 Materials:
 Insulator:High Temp. Plastic (UL94V-0)
 Contact material:Phosphor Bronze
 Finish:Tin Plated



MIM-SR-xx-LF
 LEADFREE
 RoHS Compliant

Pos	A	B	C	Pos	A	B	C
4	7.00	3.81	5.60	16	22.24	19.05	20.84
6	9.54	6.35	8.14	18	24.78	21.59	23.38
8	12.08	8.89	10.68	20	27.32	24.13	25.92
10	14.62	11.43	13.22	22	29.86	26.67	28.46
12	17.16	13.97	15.76	24	32.40	29.21	31.00
14	19.70	16.51	18.30	26	34.94	31.75	33.54



PCB Layout



煜倫股份有限公司

PART NO. MIM-SR-xx		CHECKED BY CY	TOLERANCES ARE .X±0.2 .XX±0.1 .XXX± AWG	DESCRIP TION: 2.54mm PCB Connector 90° Type
DWG NO. MIM-SR-xx				
FILE NO.		DRAWING BY	AREA	REVISIONS
UNIT / mm	SCALE 1:1	PROJECTION		